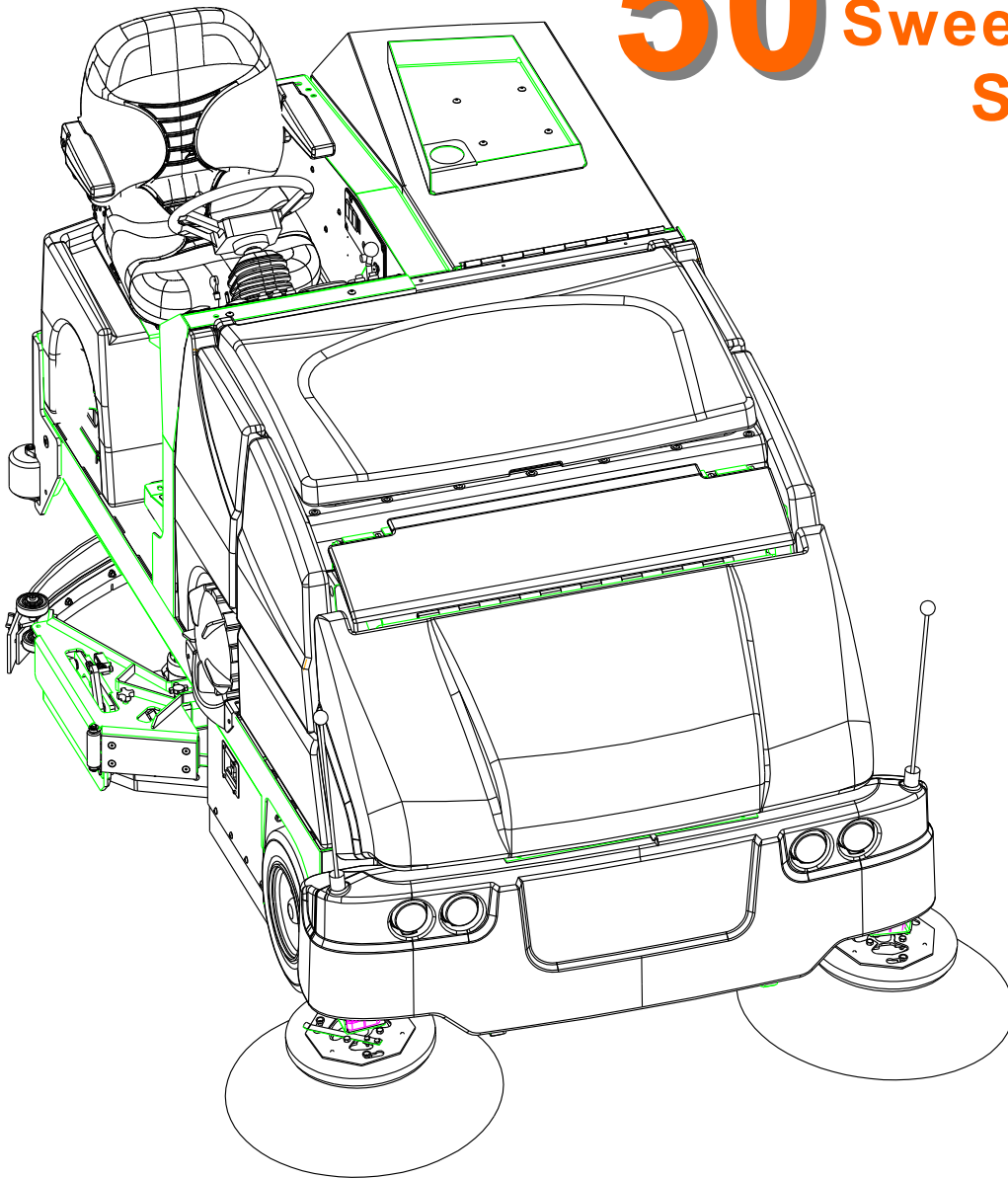


PowerBoss[®]
The Power of Clean

CORE

50 Sweeper
Scrubber

Parts Manual



PowerBoss, Inc.
A Member Of The Hako Group

techsupport@powerboss.com

Technical Service 1-800-982-7141

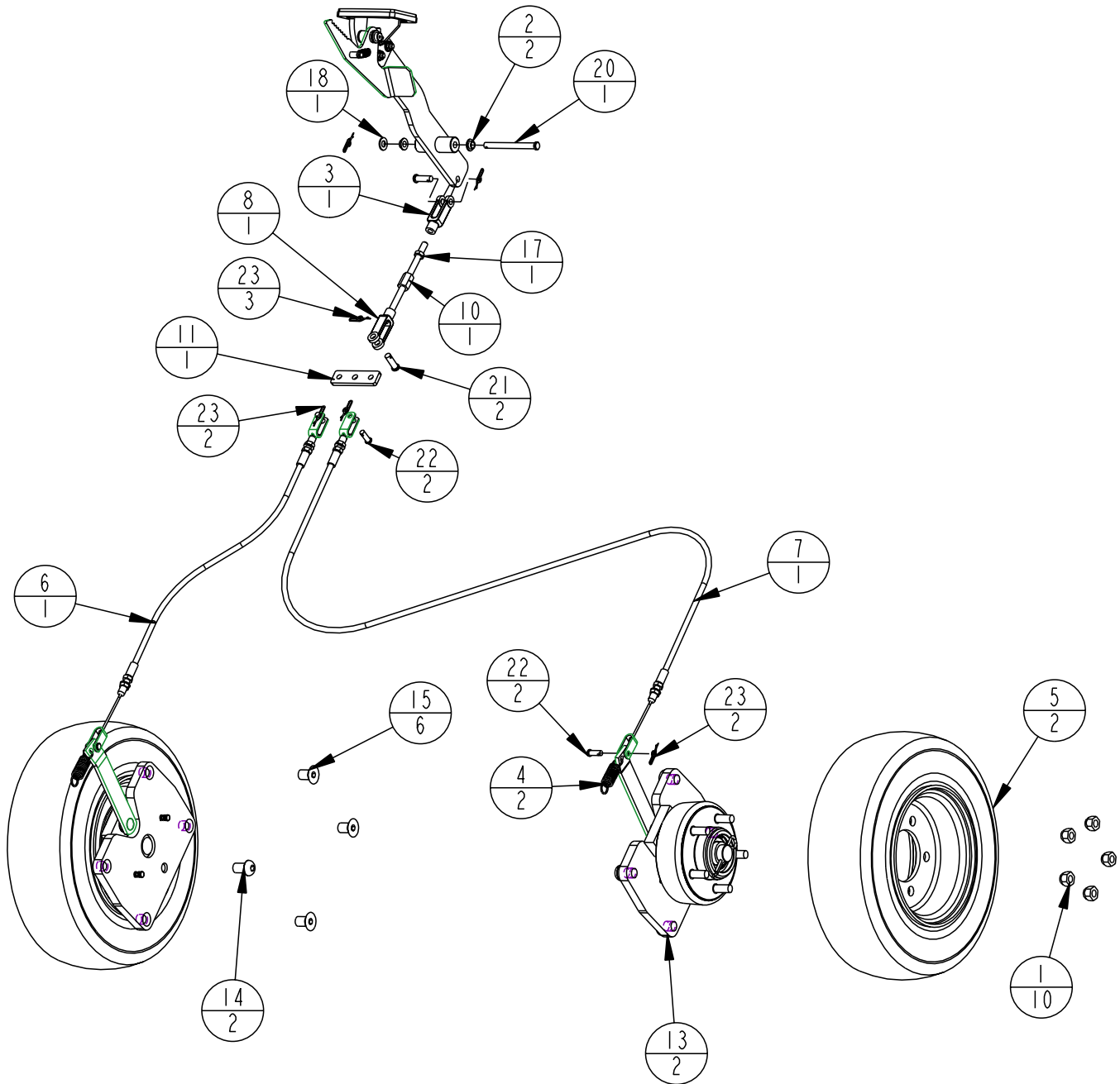
PB# 410003 Rev. 05/15/07

Table of Contents

Front Axle Group	4
Front Axle Assembly	6
Drive Wheel Group	8
Rear Drive Assembly	10
Console Group	12
Console Assembly	14
Instrument Panel Assembly	16
Auxiliary Control Panel Assembly	18
Engine, GM 1.6L LPG	20
Reservoir, Hydraulic Assembly	28
Floor Board Group	30
Floor Pan Assembly	32
Frame Group	34
Engine Cover, Top Assembly	38
Engine Cover, Side Assembly	40
Engine Cover, Rear Assembly	42
Fuse Panel Assembly	44
Broom Door, Right Hand Assembly	46
Broom Door, Left Hand Assembly	48
Front Bumper Assembly	50
Rear Bumper, Right Hand Assembly	52
Hopper Group	54
Hopper Assembly	58
Filter Shaker Assembly	62
Side Broom, Left Hand Assembly	64
Side Broom, Right Hand Assembly	66

Hydraulic Valve Group	68
Manifold Block, Left Hand Assembly	70
Manifold Block, Right Hand Assembly	72
Manifold Case Drain Assembly	74
Impeller, Dust Control Group	76
Impeller, Dust Control Assembly	78
Impeller, Squeegee Group	80
Impeller, Squeegee Assembly	82
Main Broom Group	84
Main Broom Assembly	86
Main Plumbing Group	88
Solution Filter Assembly	90
Solution Valve Assembly	92
Seat Group	94
Seat Clip Assembly	96
Scrubdeck / Side Squeegee Group	98
Scrubdeck Assembly	100
Side Squeegee, Left Hand Assembly	102
Side Squeegee, Right Hand Assembly	104
Rear Squeegee Group	106
Rear Squeegee Assembly	108
Pivot Mount, Rear Squeegee Assembly	110
Tank, Solution Recovery Group	112
Tank, Solution Recovery Assembly	114

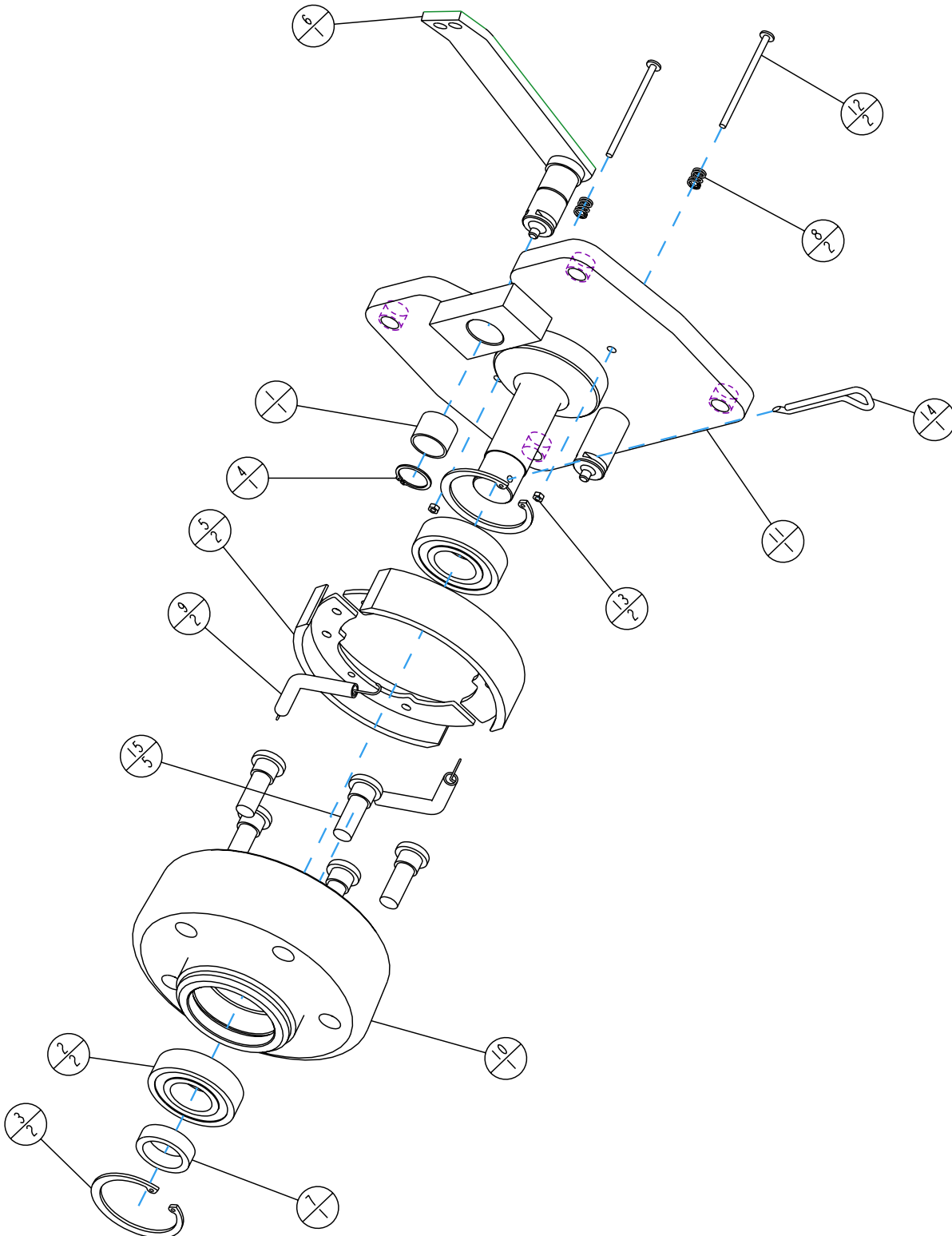
Front Axle Group - 3343075, Revision *



Front Axle Group - 3343075, Revision *

ITEM	PART NO.	REQ'D	DESCRIPTION
1	3300411	10	NUT-LUG 1/2-20
2	3300414	2	BUSHING-FLNG 3/8 NYLON
3	3301447	1	CLEVIS-CABLECRAFT AC-218
4	3301517	2	SPRING-EXT BRAKE LEVER
5	3301525	2	ASSY-TIRE&RIM SOLID FS/MS
6	3341045	1	CABLE-RH BRAKE
7	3341046	1	CABLE-LH BRAKE
8	3341051	1	CLEVIS-3/8-24 LH
9	3341320	1	WELD-LOWER BRAKE ARM
10	3341335	1	WELD-BRAKE ADJ. ROD
11	3341337	1	BAR-EQUALIZER BRAKES
12	3341667	1	ASSY-BRAKE PEDAL
13	3343111	2	SUB-FRT AXLE ASSY
14	3400006	2	SCREW BH 5/8-11 X 1.0 LG
15	3400011	6	SCREW-FLAT HEAD 5/8-11 X 1.00, SOC ZP
16	3400034	3	SCR-HEX,5/16-18X1.25 ZP
17	3400075	1	NUT-HEX, JAM, 3/8-24,LH ZP
18	3400087	1	WASHER 3/8 ID .81 OD X .065 THK
19	3400088	3	WASHER 5/16 ID .688 OD X .065 THK
20	3400114	1	PIN-CLEVIS 3/8 X 4.00 ZP
21	3400117	2	PIN-CLEVIS 3/8 X 1-1/8 ZP
22	3400118	4	PIN-CLEVIS 5/16 x 7/8 ZP
23	3400125	7	RUE RING-1/4 HEAVY ZP
24	3400390	3	NUT-FLANGE LOCK 5/16-18

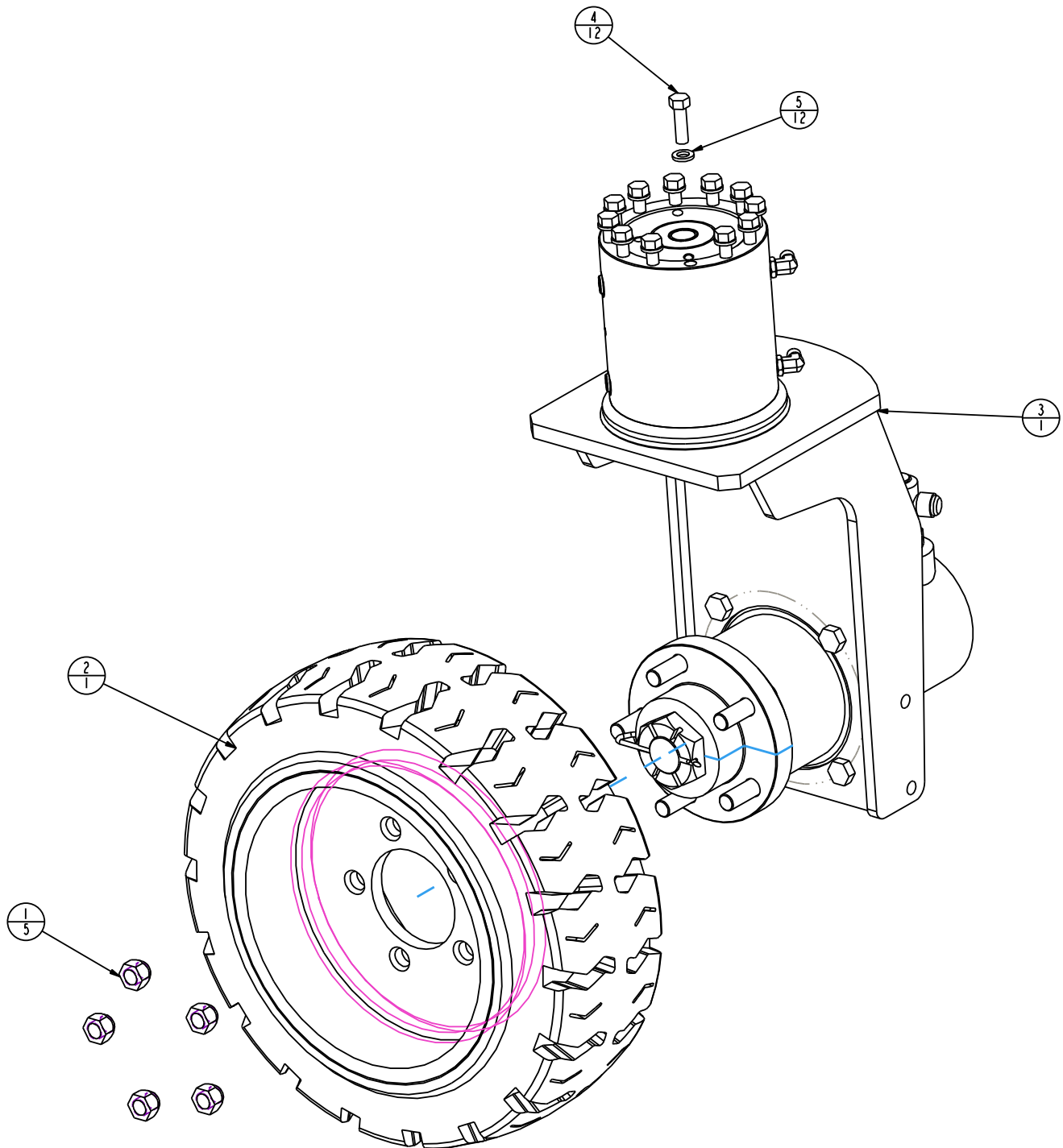
Front Axle Assembly - 3343111, Revision *



Front Axle Assembly - 3343111, Revision *

ITEM	PART NO.	REQ'D	DESCRIPTION
1	3300410	1	BUSHING-1.00 OD X 0.87 ID BRONZE
2	3300467	2	BEARING-BALL 2.44 OD X 1.18 ID
3	3300473	2	RETAINING RING, INT 2.44
4	3300484	1	RETAINING RING, EXT 0.87
5	3300523	2	SHOE-BRAKE
6	3300870	1	ASSY-BRAKE LEVER PLTD
7	3300876	1	SPACER-AXLE FRONT MACH & PLTD
8	3301518	2	SPRING, COMPRESSION BRAKE SHOE
9	3301519	2	SPRING-EXT BRAKE SHOE
10	3343090	1	HUB-FRONT WHEEL PCP
11	3343091	1	WELD-AXLE FRONT PCP
12	3400060	2	SCR-THM # 8-32 X 3.00 SS
13	3400082	2	NUT-HEX # 8-32 ES ZP
14	3400120	1	PIN-COTTER 5/32 X 2.00 ZP
15	3400938	5	62/72-STUD FRONT WHEEL

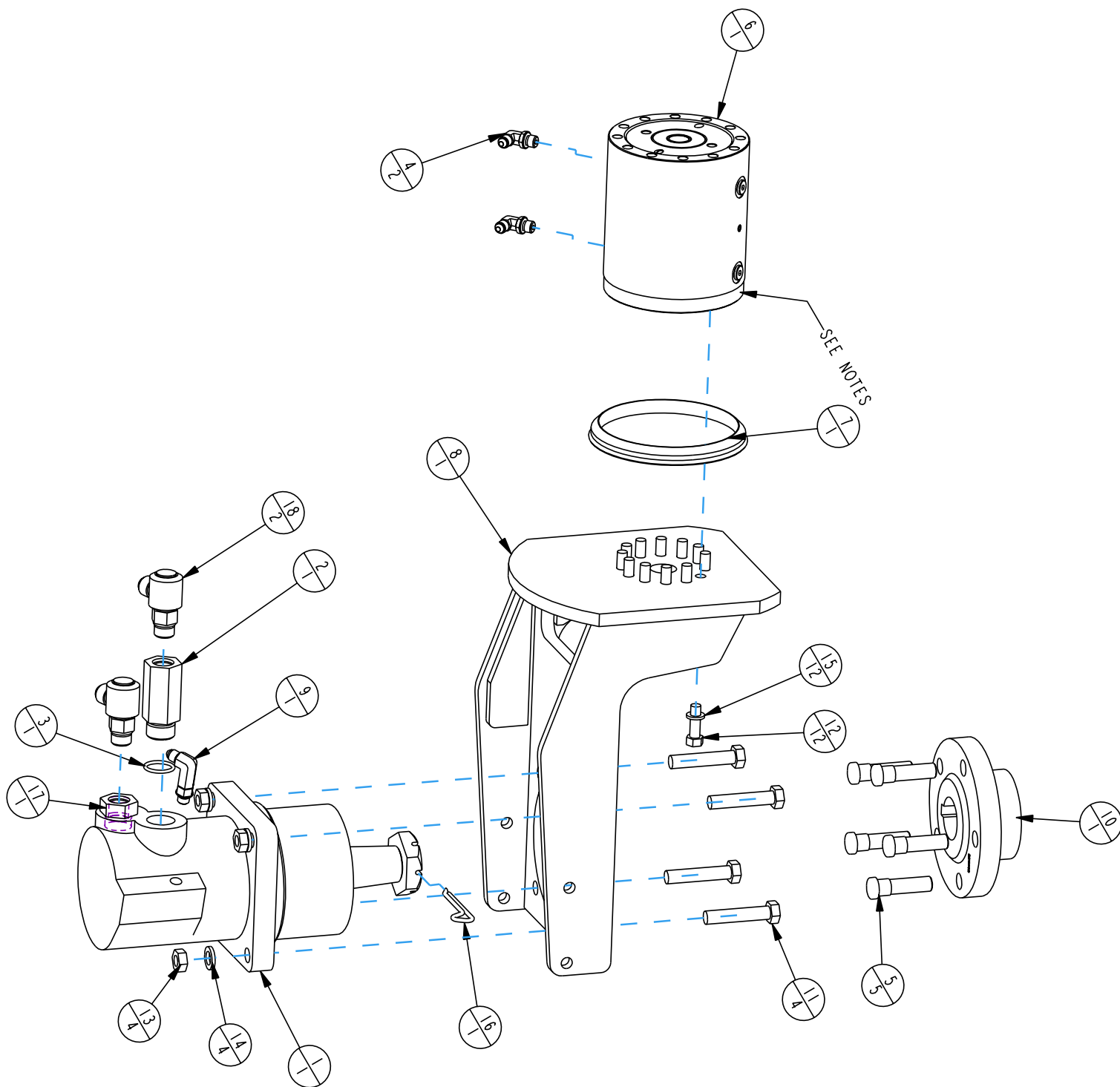
Drive Wheel Group - 3342648, Revision *



Drive Wheel Group - 3342648, Revision *

ITEM	PART NO.	REQ'D	DESCRIPTION
1	3316057	5	NUT-LUG 1/2-20
2	3316330	1	WHEEL/TIRE ASSY 16 X 6
3	3341666	1	SUB- 1800 / 5550 REAR DRIVE
4	3400029	12	SCR-HEX 3/8 -16X1.25 ZP
5	3400101	12	WASHER-LOCK 3/8 SPLIT ZP

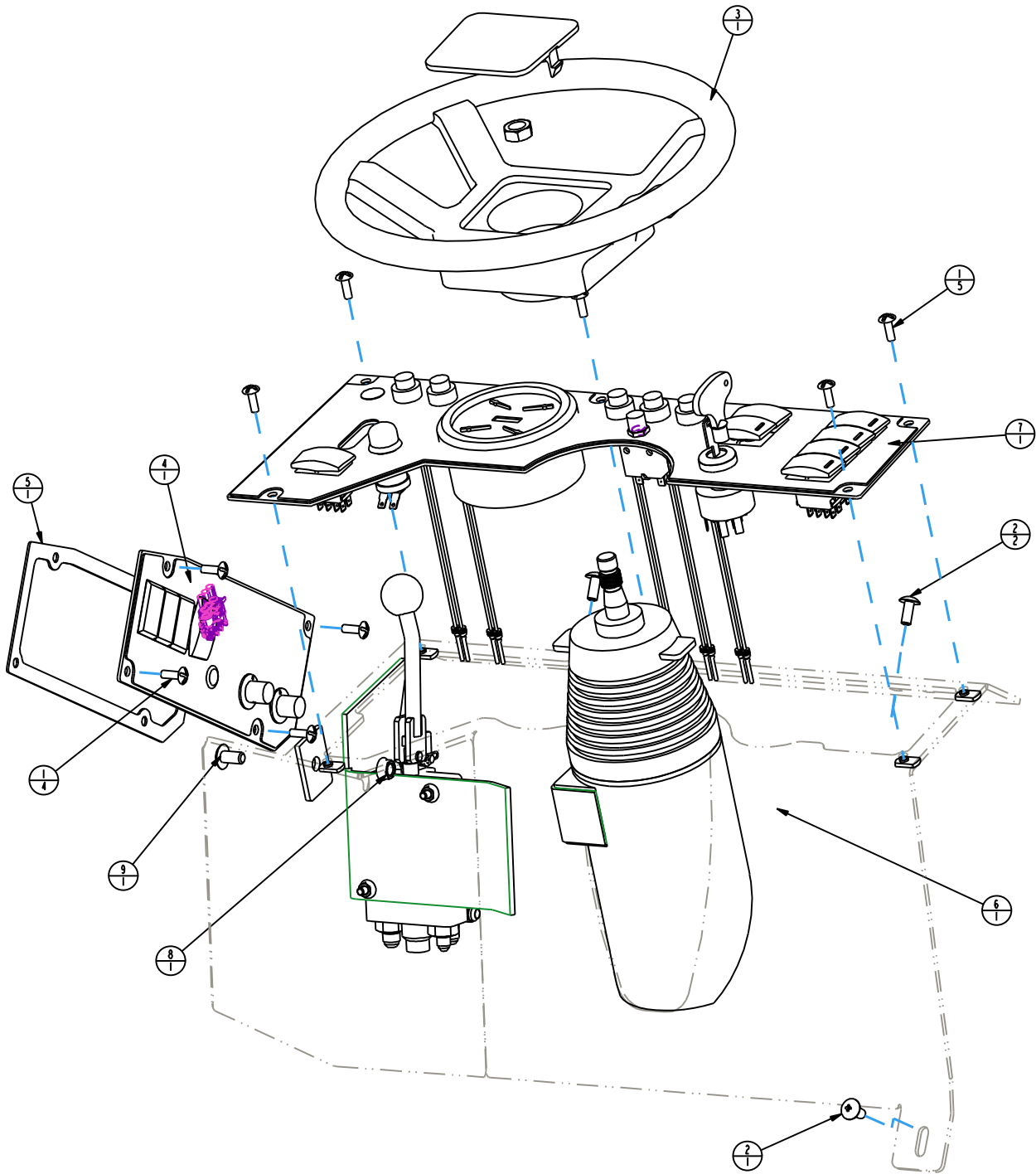
Rear Drive Assembly - 3341666, Revision *



Rear Drive Assembly - 3341666, Revision *

ITEM	PART NO.	REQ'D	DESCRIPTION
1	3301533	1	MOTOR-HYD 4000 SERIES
2	3301834	1	FTG-SPECIAL WHEEL MTR
3	3302251	1	O-RING 0.924 ID X 0.116W
4	3302407	2	FTG-90 EL 4MORB X 4MJIC
5	3316059	5	STUD-REAR WHEEL
6	3321422	1	ACTUATOR-ROTARY L10 180 DEG
7	3334360	1	SEAL-VS130 HELAC
8	3341202	1	WELD-REAR STEER FORK
9	3343062	1	FTG-1/4MPT X #4M JIC LPG COUPL
10	3343101	1	HUB-REAR WHEEL FULL PCP
11	3400019	4	SCR-HEX 1/2-13 X 2.50 ZP
12	3400029	12	SCR-HEX 3/8 -16X1.25 ZP
13	3400065	4	NUT-HEX 1/2-13 ZP
14	3400098	4	WASHER-LOCK 1/2 SPLIT ZP
15	3400101	12	WASHER-LOCK 3/8 SPLIT ZP
16	3400120	1	PIN-COTTER 5/32 X 2.00 ZP
17	3400167	1	FTG-12MORB X 8FORB
18	3400169	2	FTG-SWIVEL 8MORB X 8JIC

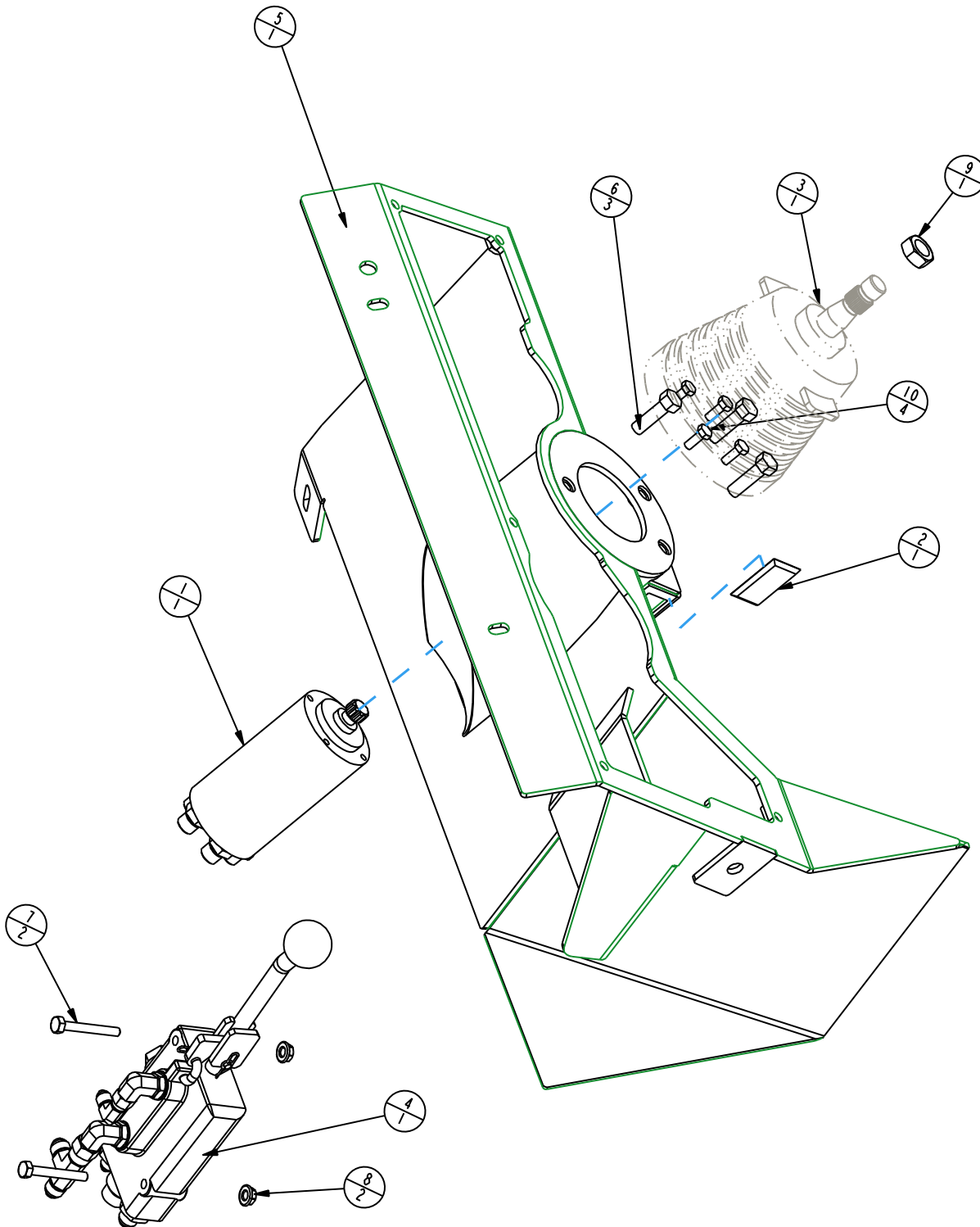
Console Group - 3342964, Revision *



Console Group - 3342964, Revision *

ITEM	PART NO.	REQ'D	DESCRIPTION
1	710180	9	SCR-MC TR HD 1/4-20x.75 STL ZINC
2	710197	3	SCREW TRUSS HEAD 5/16-18 X .75 PH ZP
3	3338215	1	WHEEL-STEERING W/COVER
4	3342713	1	SUB-AUXLARY PANEL, 5550/1800
5	3342721	1	GASKET-AUX PANEL
6	3342810	1	SUB-CONSOLE ASSY 1800/5550
7	3342909	1	SUB-INSTRUMENT PANEL 1800
8	3400392	1	NUT-FLANGE LOCK 3/8-16
9	3402066	1	SCREW TRUSS HEAD 3/8-16 X 3/4 PH

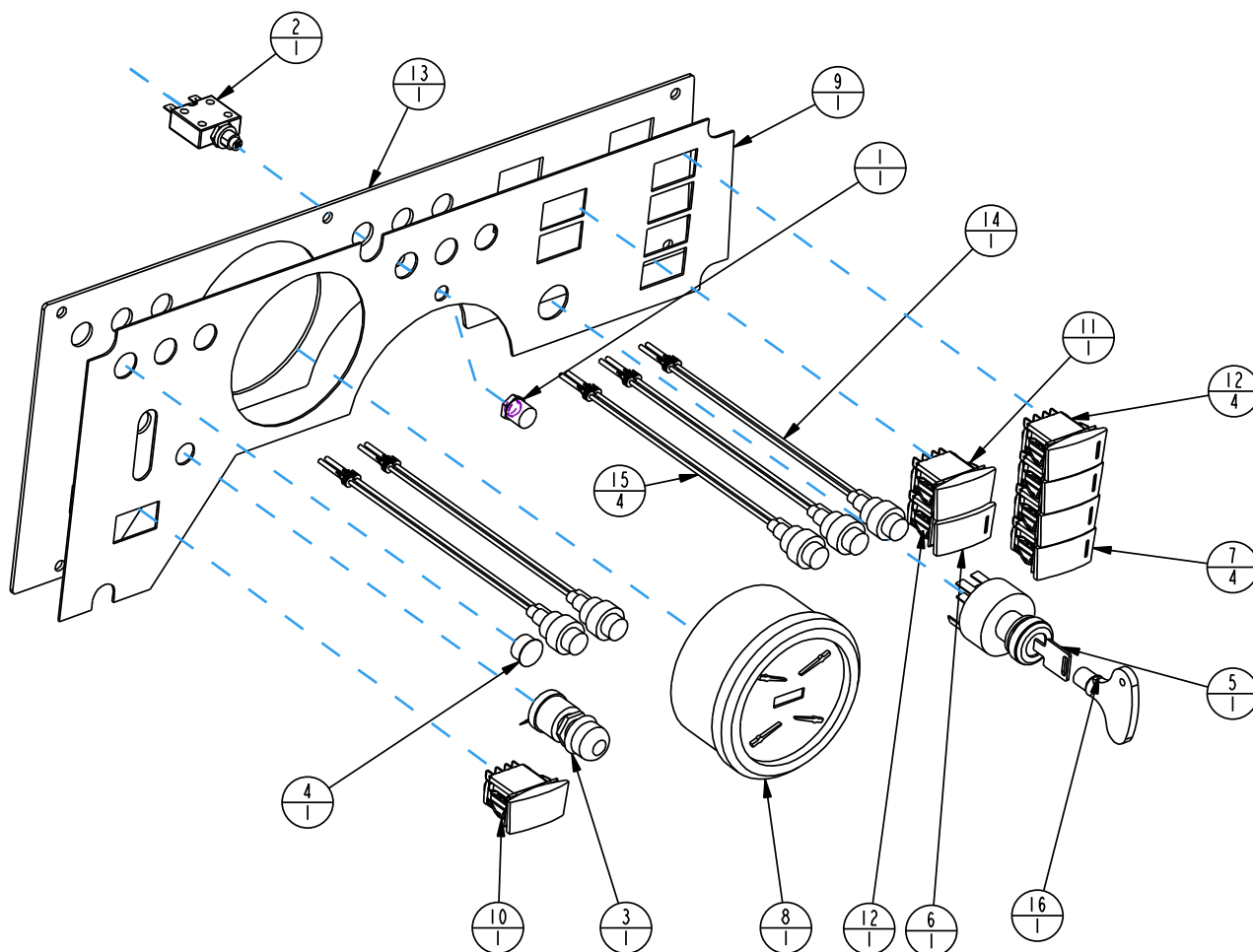
Console Assembly - 3342810, Revision C



Console Assembly - 3342810, Revision C

ITEM	PART NO.	REQ'D	DESCRIPTION
1	3321437	1	STEERING UNIT-DANFOSS OSPM-50-PB
2	3323529	1	PLUG-CARLING CONTURA SWITCH
3	3339333	1	COLUMN-STEERING TILT
4	3341661	1	SUB-HYD VALVE, HOPPER LIFT
5	3342575	1	WELD-CONSOLE
6	3400029	3	SCR-HEX 3/8 -16X1.25 ZP
7	3400039	2	SCR-HEX, 1/4-20X2.00 ZP
8	3400063	2	NUT-FLANGE LOCK 1/4-20 ZP
9	3400074	1	NUT-HEX JAM 5/8-18 ZP
10	3400737	4	SCR-HEX M6 X 1.0 X 16

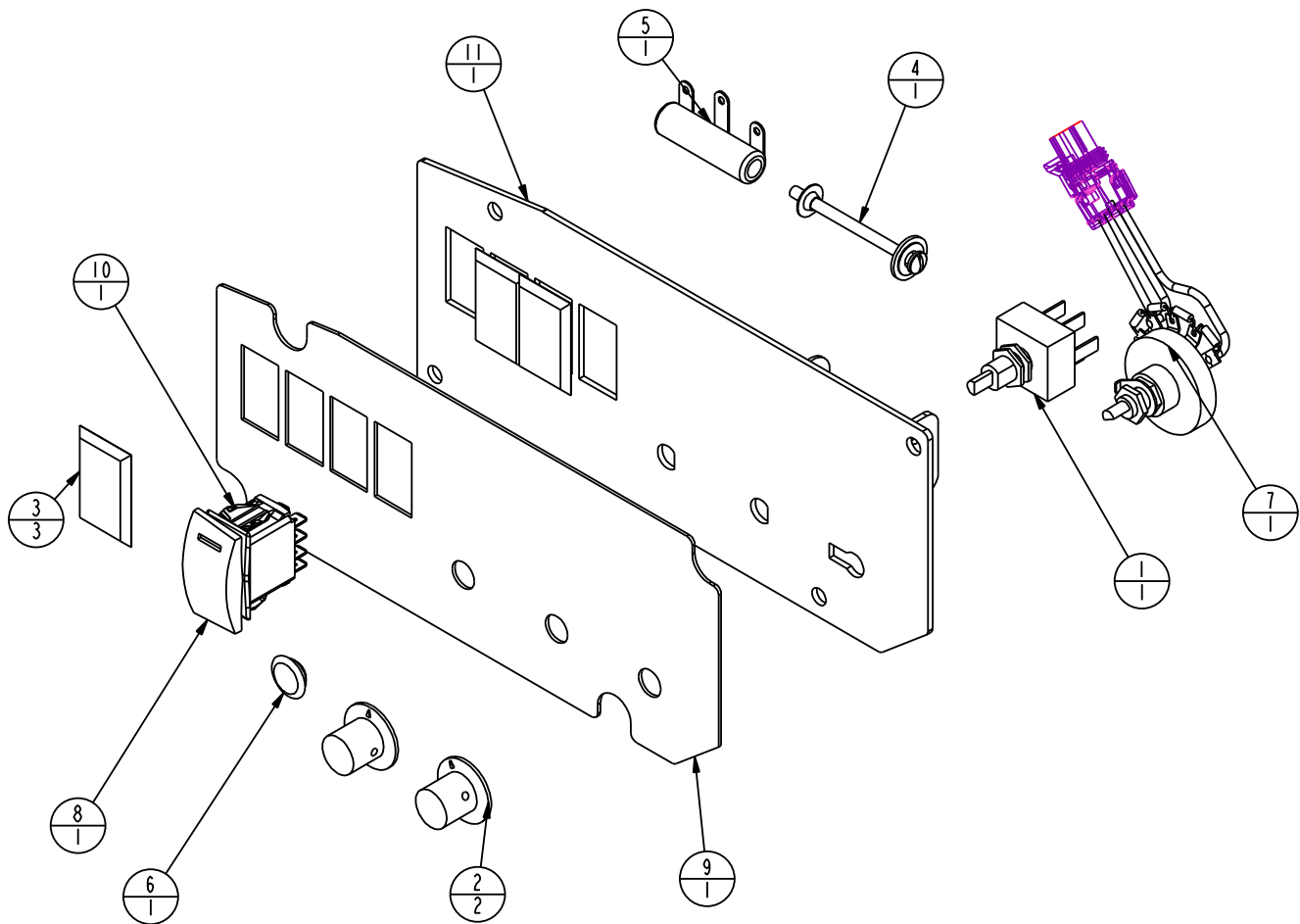
Instrument Panel Assembly - 3342909, Revision B



Instrument Panel Assembly - 3342909, Revision B

ITEM	PART NO.	REQ'D	DESCRIPTION
1	742748	1	CIRCUIT BREAKER BOOT
2	742769	1	CIRCUIT BREAKER 30AMP PUSHBUTTON
3	3300441	1	SWITCH-MOMENTARY STARTER
4	3301669	1	PLUG-HOLE 0.687
5	3316100	1	SWITCH-IGNITION W/O ACC, 3-POS
6	3342273	1	SWITCH COVER-BLACK, CLEAR LENS
7	3342275	4	SWITCH COVER-GREEN, CLEAR LENS
8	3342296	1	GAUGE-5 IN 1(AMP, V, HR, TEMP, OIL)
9	3342663	1	DECAL-INSTRUMENT PANEL 1800/5550
10	3342702	1	SWITCH-ROCKER DPDT NO LENS, MOMENTARY
11	3342703	1	SWITCH-ROCKER DPDT ON-OFF-ON NO LENS
12	3342705	5	SWITCH BASE-DPST, ON-OFF
13	3342710	1	PANEL-INSTRUMENT, MAIN
14	3342904	1	ASSY-LIGHT WARNING AMBER
15	3342905	4	ASSY-LIGHT WARNING RED
16	3343016	1	KEY-LATCH 7MM SQUARE

Auxiliary Control Panel Assembly - 3342713, Revision C

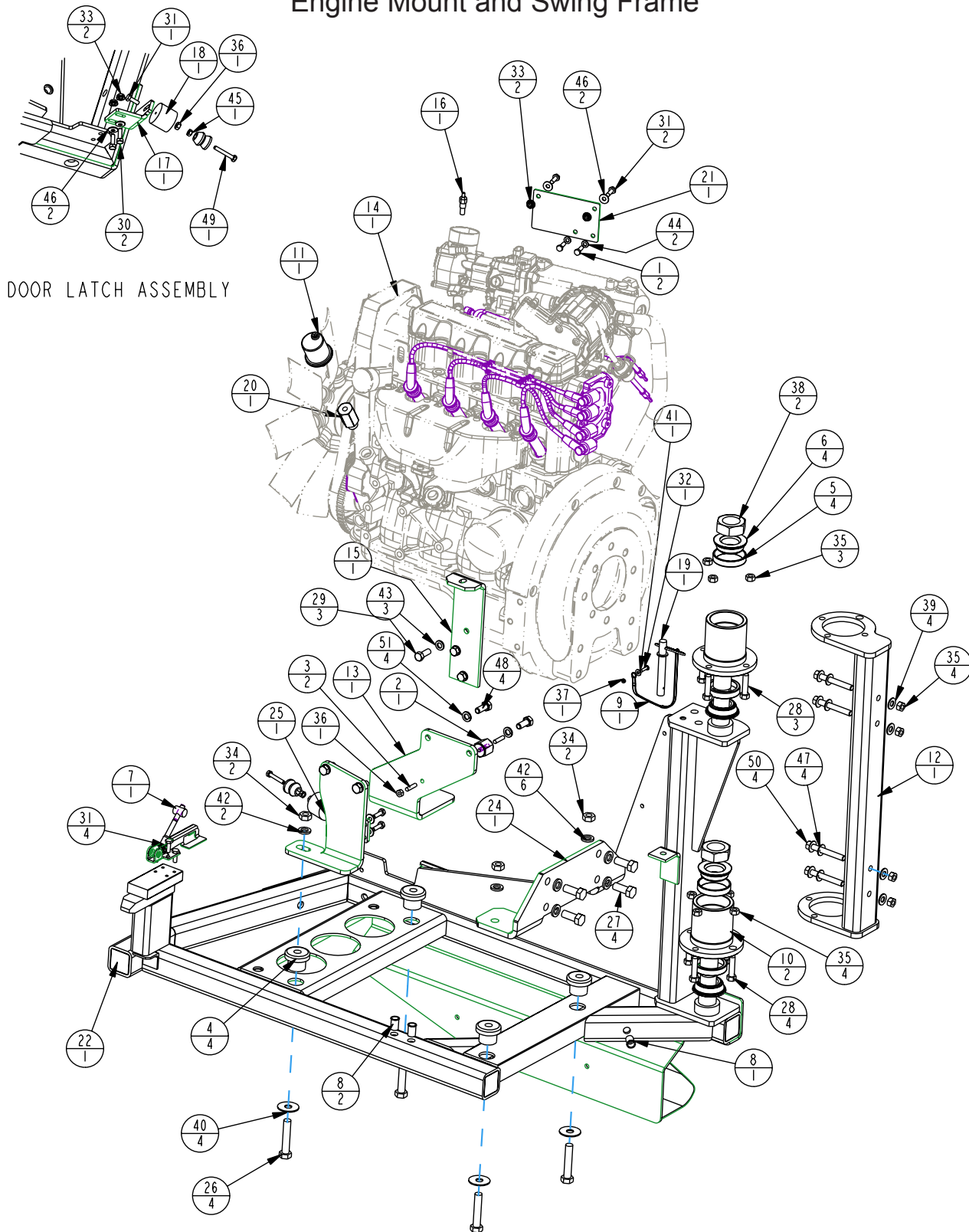


Auxiliary Control Panel Assembly - 3342713, Revision C

ITEM	PART NO.	REQ'D	DESCRIPTION
1	3303072	1	SWITCH-ROTARY 3-SPD
2	3303073	2	KNOB-ROTARY SWITCH
3	3323529	3	PLUG-CARLING CONTURA SWITCH
4	3323983	1	RESISTOR HARDWARE KIT
5	3323992	1	RESISTOR-ADJUST 25W 3.0 OHM
6	3330021	1	PLUG-HOLE BPF 3/8-3
7	3341133	1	SWITCH-ROTARY SCRUBDECK PRESSURE
8	3342273	1	SWITCH COVER-BLACK, CLEAR LENS
9	3342664	1	DECAL-SIDE PANEL 5550/1800
10	3342704	1	SWITCH BASE-DPDT ON-NONE-ON
11	3342715	1	WELD-AUX PANEL

Engine, GM1.6L LPG - 3342801, Revision B

Engine Mount and Swing Frame



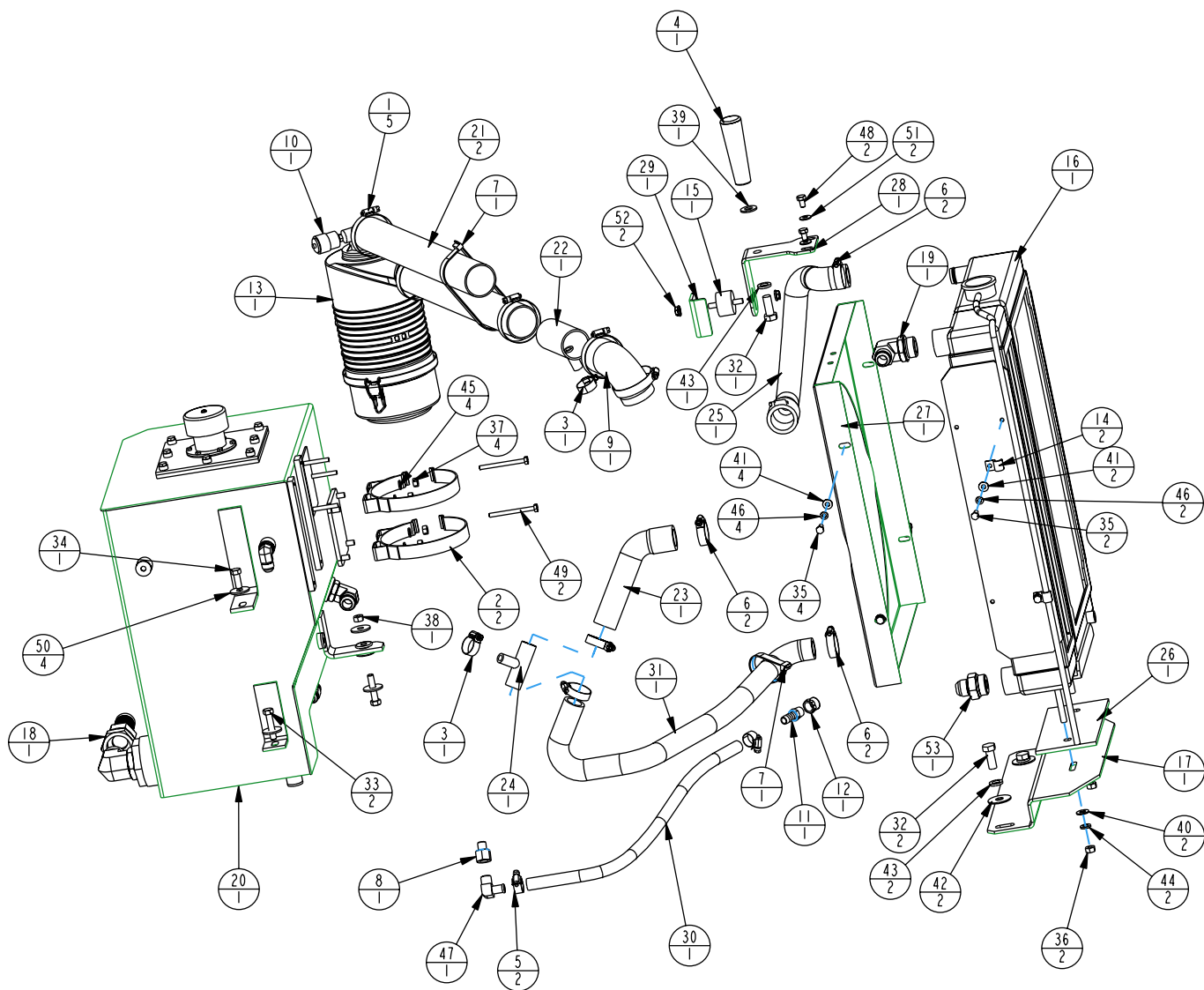
DOOR LATCH ASSEMBLY

Engine, GM1.6L LPG - 3342801, Revision B

ITEM	PART NO.	REQ'D	DESCRIPTION
1	717022	2	BOLT-HH M6X1.0 X 20
2	740132	1	INSULATOR, PLASTIC
3	833638	2	BRASS STUD
4	3300464	4	MOUNT-ISOLATION
5	3300470	4	BEARING-TAPERED ROL CUP
6	3300471	4	BEARING-TAPERED ROLCONE W/SEAL
7	3307377	1	LATCH-ENGINE SW/A
8	3322187	3	INSERT 5/16-18 X .31 LG ZP
9	3334364	1	CHAIN-ENG LOCKING PIN 5550
10	3341041	2	BRG MNT B - SWG FR
11	3341069	1	SENDER-OIL PRESSURE
12	3341364	1	WELD - MNT SWING FR
13	3341579	1	RH ENGINE MNT-GM 1.6
14	3341649	1	ENGINE-GM1.6L LP 5550/1800
15	3341729	1	MOUNT-RESERVOIR ENGINE
16	3341806	1	SENDER-TEMPERATURE 1/8 NPT
17	3342038	1	PLATE-DOOR STOP
18	3342039	1	SOCKET ASSY - DOOR STOP
19	3342040	1	PIN-QUICK RELEASE 1/2 X 2 1/2
20	3342078	1	ADAPTER-1.6L GM OIL SENDER
21	3342087	1	PLATE-5550 FUSE BLOCK MOUNT
22	3342218	1	WELD-SWING FRAME
23	3342286	1	WELD-RAD SHROUD GM1.6L
24	3342682	1	REAR ENGINE MNT-GM 1.6 L
25	3342911	1	PLT-LH FORWARD ENG MNT
26	3400019	4	SCR-HEX 1/2-13 X 2.50 ZP
27	3400022	4	SCR-HEX 1/2-13 X 1.25 ZP
28	3400028	7	SCR-HEX 3/8 -16X1.50 ZP
29	3400030	3	SCREW-HHM 3/8-16 X 1.0 LG ZP
30	3400041	2	SCREW-HHM 1/4-20 X .875 LG ZP
31	3400042	7	SCR-HEX 1/4-20X.75 ZP
32	3400045	1	SCR-8-32 X 5/8 PAN HD SLT ZP
33	3400063	4	NUT-FLANGE LOCK 1/4-20 ZP
34	3400065	4	NUT-HEX 1/2-13 ZP
35	3400079	11	NUT-HEX 3/8-16 ES ZP
36	3400081	2	NUT-HEX 1/4-20 ES ZP
37	3400082	1	NUT-HEX # 8-32 ES ZP
38	3400083	2	NUT-HEX 1 1/4-12 ES ZP
39	3400087	4	WASHER 3/8 ID .81 OD X .065 THK
40	3400091	4	WASHER-FENDER 1/2 ZP
41	3400096	1	WASHER-FLAT #8 ZP
42	3400098	8	WASHER-LOCK 1/2 SPLIT ZP
43	3400101	3	WASHER-LOCK 3/8 SPLIT ZP
44	3400103	2	WASHER-LOCK 1/4 SPLIT ZP
45	3400216	1	NUT-HEX 6MMX1.00P BLUE CH PLT
46	3400383	4	WASHER CONICAL SPRING 1/4
47	3400385	4	WASHER CONICAL SPRING 3/8
48	3400625	4	SCR-HHM 10MM X 1.5 X 25MM
49	3401062	1	SCR-HHM 6MM X 1.0 X 40MM
50	3401154	4	3/8-16X2.75 YZ 8 HCS
51	3401458	4	10 MM L/W ZP

Engine, GM1.6L LPG - 3342801, Revision B (Continued)

Reservoir, Cooler and Air Cleaner

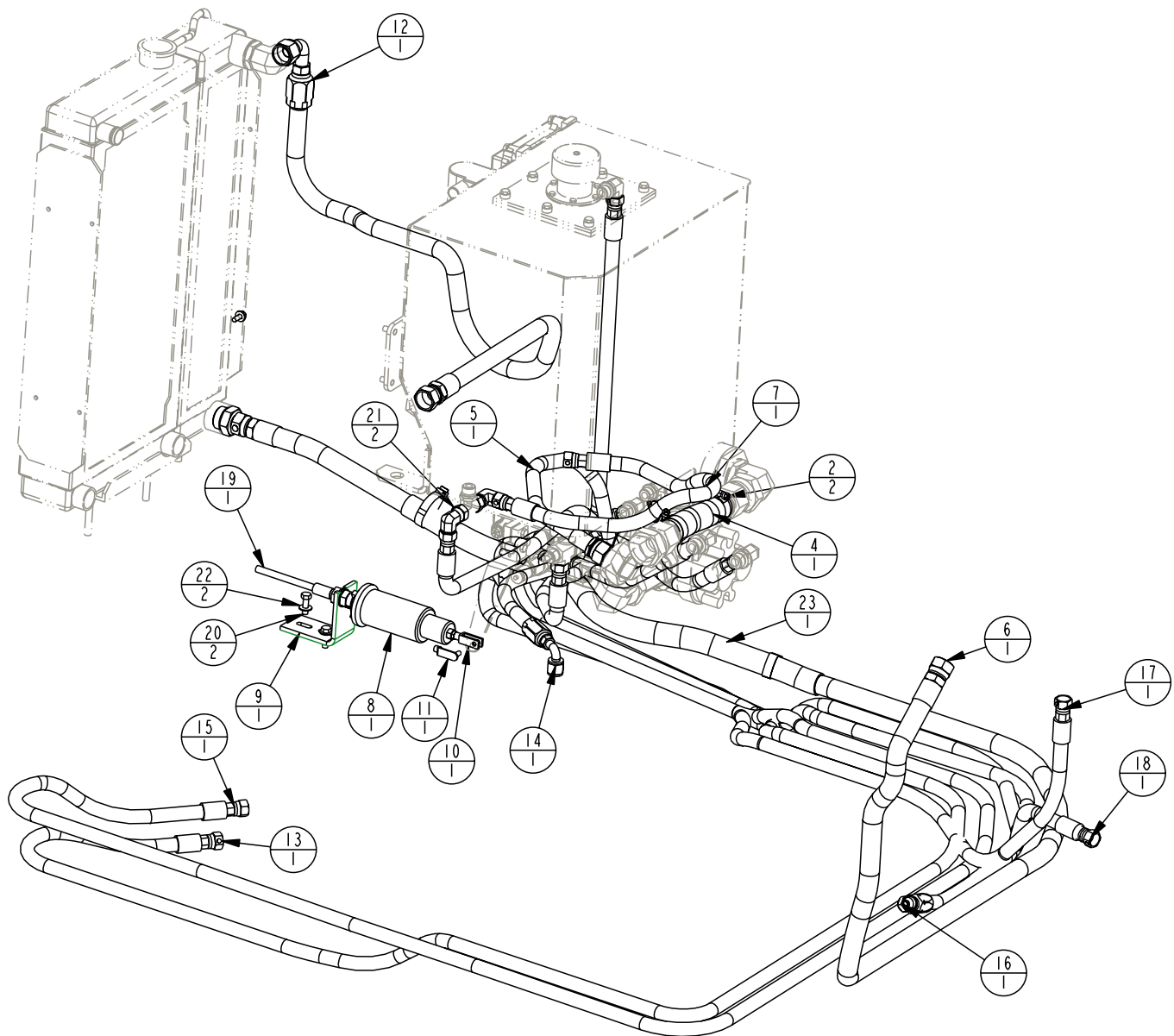


Engine, GM1.6L LPG - 3342801, Revision B (Continued)

ITEM	PART NO.	REQ'D	DESCRIPTION
1	3300336	5	CLAMP-HOSE 2.5 SS
2	3300459	2	BAND-MTG AIR CLEANER PNTD BLAC
3	3300535	2	CLAMP-HOSE 1/2
4	3300558	1	KNOB-TAPERED #145 BLACK
5	3302144	2	CLAMP-HOSE 1/2
6	3302193	6	CLAMP-HOSE 1.25 NOM
7	3302493	2	TIE-WIRE
8	3303302	1	FTG-REDUCER 3/8 FPT X 1/4 MPT
9	3303385	1	ADAPTER-90 ELL RUBBER 3.50X2.5
10	3303991	1	INDICATOR-AIR CLEANER KIT
11	3307829	1	FTG-HOSE BARB 1/2 X 3/8 MPT
12	3307830	1	FTG-CAP 3/8 FPT
13	3317917	1	AIR CLEANER ASSY-5" RADIAL SEAL
14	3332271	2	3/8 HALF CLAMP INSULATED
15	3334426	1	ISOLATOR-RAD MOUNT 5/16-18
16	3336103	1	COOLER-CG 13 RADIATOR/OIL
17	3341581	1	MOUNT-RADIATOR GM 1.6
18	3341642	1	FTG-#20 JIC TO 1.25 BARB
19	3341644	1	FTG-90 #16 O-RING TO #12 JIC
20	3341675	1	SUB-HYD RESERVOIR ASSY 5550
21	3341789	2	HOSE-AIR CLEANER 5550
22	3341790	1	WELD-2.0" AIR CLEANER T 5550
23	3341793	1	HOSE-RADIATOR BTM SHORT 5550
24	3341794	1	WELD-LOWER RADIATOR HOSE T 555
25	3341795	1	HOSE-RADIATOR TOP 5550
26	3341811	1	PAD-RADIATOR MOUNT 5550
27	3342286	1	WELD-RAD SHROUD GM1.6L
28	3342544	1	BRKT-RAD SUPPORT UPPER GM1.6
29	3342545	1	BRKT-RAD SUPPORT LOWER GM1.6
30	3343108	1	HOSE-1/2 ID X 20 EEC-PCV
31	3343163	1	HOSE-RADIATOR BTM LONG
32	3400022	3	SCR-HEX 1/2-13 X 1.25 ZP
33	3400027	2	SCREW-HHM 5/16-18 X 2.75 LG ZP
34	3400030	1	SCREW-HHM 3/8-16 X 1.0 LG ZP
35	3400042	6	SCR-HEX 1/4-20X.75 ZP
36	3400068	2	NUT-HEX 3/8-16 ZP
37	3400070	4	NUT, HEX 5/16-18 ZP
38	3400079	1	NUT-HEX 3/8-16 ES ZP
39	3400086	1	WASHER-FLAT 1/2 STANDARD ZP
40	3400087	2	WASHER 3/8 ID .81 OD X .065 THK
41	3400089	6	WASHER 1/4 ID .63 OD X .065 THK
42	3400091	2	WASHER-FENDER 1/2 ZP
43	3400098	3	WASHER-LOCK 1/2 SPLIT ZP
44	3400101	2	WASHER-LOCK 3/8 SPLIT ZP
45	3400102	4	WASHER-LOCK 5/16 SPLIT ZP
46	3400103	6	WASHER-LOCK 1/4 SPLIT ZP
47	3400190	1	FTG-90 ELL 1/2 TUBE TO 3/8 MPT
48	3400207	2	BLT-HH 5/16-18 X 1/2 ZP
49	3400252	2	SCR-HEX,1/4-20X3.0 ZP
50	3400278	4	WASHER-FENDER 3/8 ZP
51	3400384	2	WASHER CONICAL SPRING 5/16
52	3400390	2	NUT-FLANGE LOCK 5/16-18
53	3402003	1	FTG-ADAPTER STRAIGHT 12MJIC X 16MORB

Engine, GM1.6L LPG - 3342801, Revision B (Continued)

Engine Hose Routing

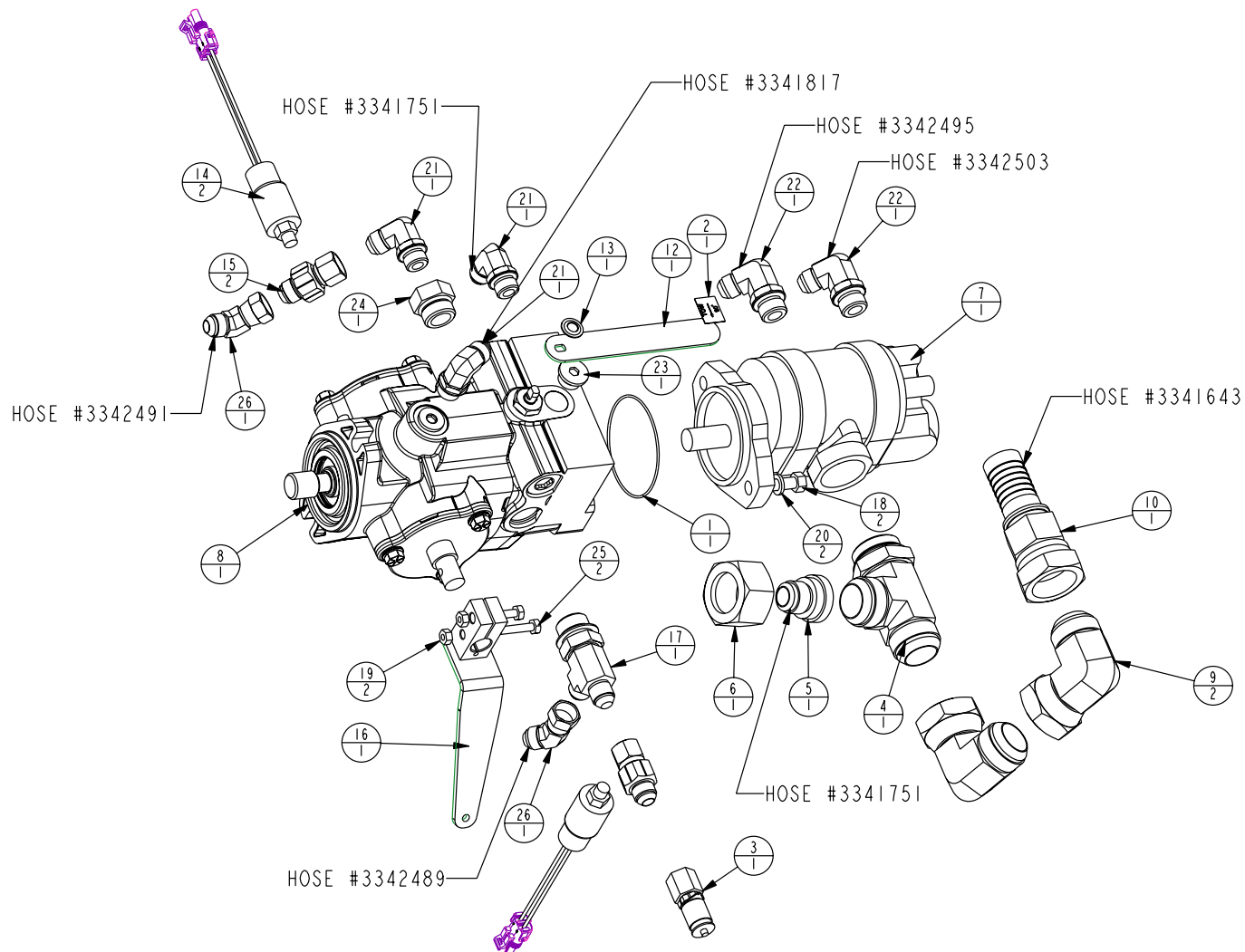


Engine, GM1.6L LPG - 3342801, Revision B (Continued)

ITEM	PART NO.	REQ'D	DESCRIPTION
1	3302493	2	TIE-WIRE
2	3303255	2	CLAMP-HOSE 1 3/4 NOM.
3	3334785	1	DECAL- TOW VALVE
4	3341643	1	HOSE-HYD SUCTION 1.25 X 6.00
5	3341751	1	HOSE-.50 AR 24.0 ST #8 ST #12
6	3341813	1	HOSE-.75 AR 122.0 ST#12 ST#12
7	3341817	1	HOSE-.50 AR 25.0 ST#8 ST#8
8	3341959	1	CENTERING SPRING-HYDROBACK
9	3341960	1	BRACKET-FWD/REV MNT 5550
10	3341971	1	CLEVIS-1/4-28
11	3341972	1	SPRING PIN-1/4-28 CLEVIS
12	3342488	1	HOSE-(5550) .75 AR 45.0 ST#12
13	3342489	1	HOSE-(5550) .50 AR 150.75 ST#8
14	3342490	1	HOSE-(5550) .50 AR 44" W/C ST#
15	3342491	1	HOSE-(5550) .50 AR 138.50 ST#8
16	3342495	1	HOSE-(5550) .50 AR 89.0 ST#8 4
17	3342502	1	HOSE-(5550) .50 AR 93 ST#8 ST#
18	3342503	1	HOSE-(5550) .50 AR 82.5 ST#8 S
19	3342574	1	CABLE-ASSEMBLY FWD/REV
20	3400035	2	SCR-HEX 5/16-18X1.00 ZP
21	3400244	2	FTG-90 SWIVEL 8JIC
22	3400384	2	WASHER CONICAL SPRING 5/16
23	3500330	1	SLEEVE-HOSE NYLON 1"

Engine, GM1.6L LPG - 3342801, Revision B (Continued)

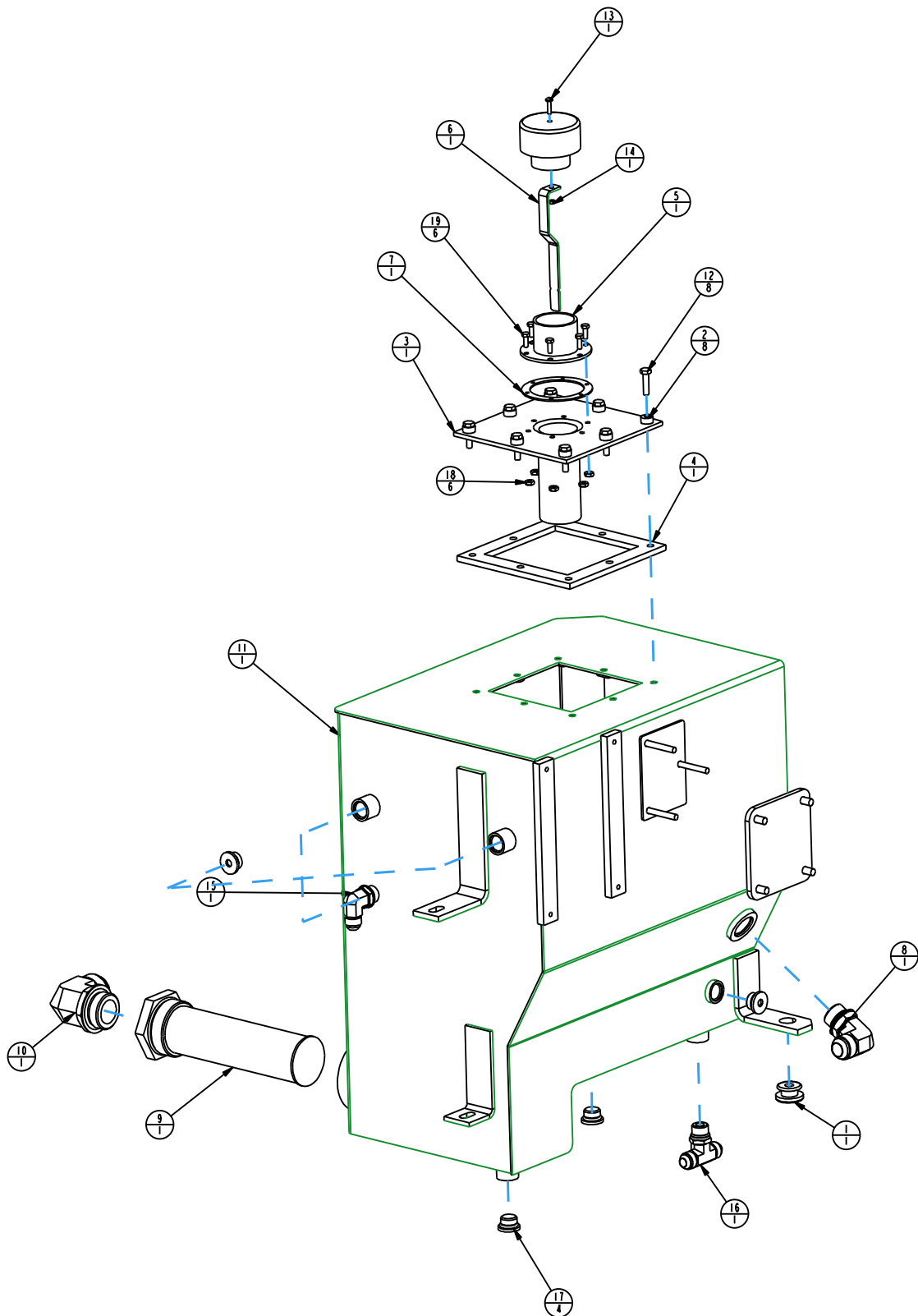
Pumps and Fittings



Engine, GM1.6L LPG - 3342801, Revision B (Continued)

ITEM	PART NO.	REQ'D	DESCRIPTION
1	3303711	1	O-RING STATIC SEAL 3.239 ID
2	3334785	1	DECAL- TOW VALVE
3	3338180	1	FTG-SEE EXT DESCRIPTION
4	3341120	1	FTG-TEE 1-5/8-12 TO #20
5	3341121	1	FTG-REDUCER #20 TO #12
6	3341122	1	NUT-REDUCER 3 PIECE #20
7	3341146	1	PUMP-GEAR, .84 CI/R, .66 CI/R
8	3341149	1	PUMP-HYD VAR DISP 5550
9	3341641	2	FTG-SWIVEL 90 ELBOW #20 JIC
10	3341642	1	FTG-#20 JIC TO 1.25 BARB
11	3341794	1	WELD-LOWER RADIATOR HOSE T 555
12	3342055	1	HANDLE-TOW VALVE
13	3342058	1	NUT-3/8 PUSH
14	3342199	2	SWITCH-PRESSURE 550 PSI (FWD/R
15	3342204	2	FTG-GAUGE PORT -8 JIC
16	3342565	1	WELD-LEVER VAR PUMP 5550
17	3342826	1	FTG-TEE #8 3/4-16 TO #12 1 1/1
18	3400029	2	SCR-HEX 3/8 -16X1.25 ZP
19	3400081	2	NUT-HEX 1/4-20 ES ZP
20	3400101	2	WASHER-LOCK 3/8 SPLIT ZP
21	3400154	3	FTG-90 EL 3/4-16 MORB X -8JIC
22	3400155	2	FTG-90 EL 8JIC X 10MORB
23	3400164	1	FTG-PLUG 3/4-16 O-RING
24	3400167	1	FTG-12MORB X 8FORB
25	3400227	2	SCREW-HHM 1/4-20 X 1.25 LG ZP
26	3400249	2	FTG-SWIVEL 45 EL #8 JIC

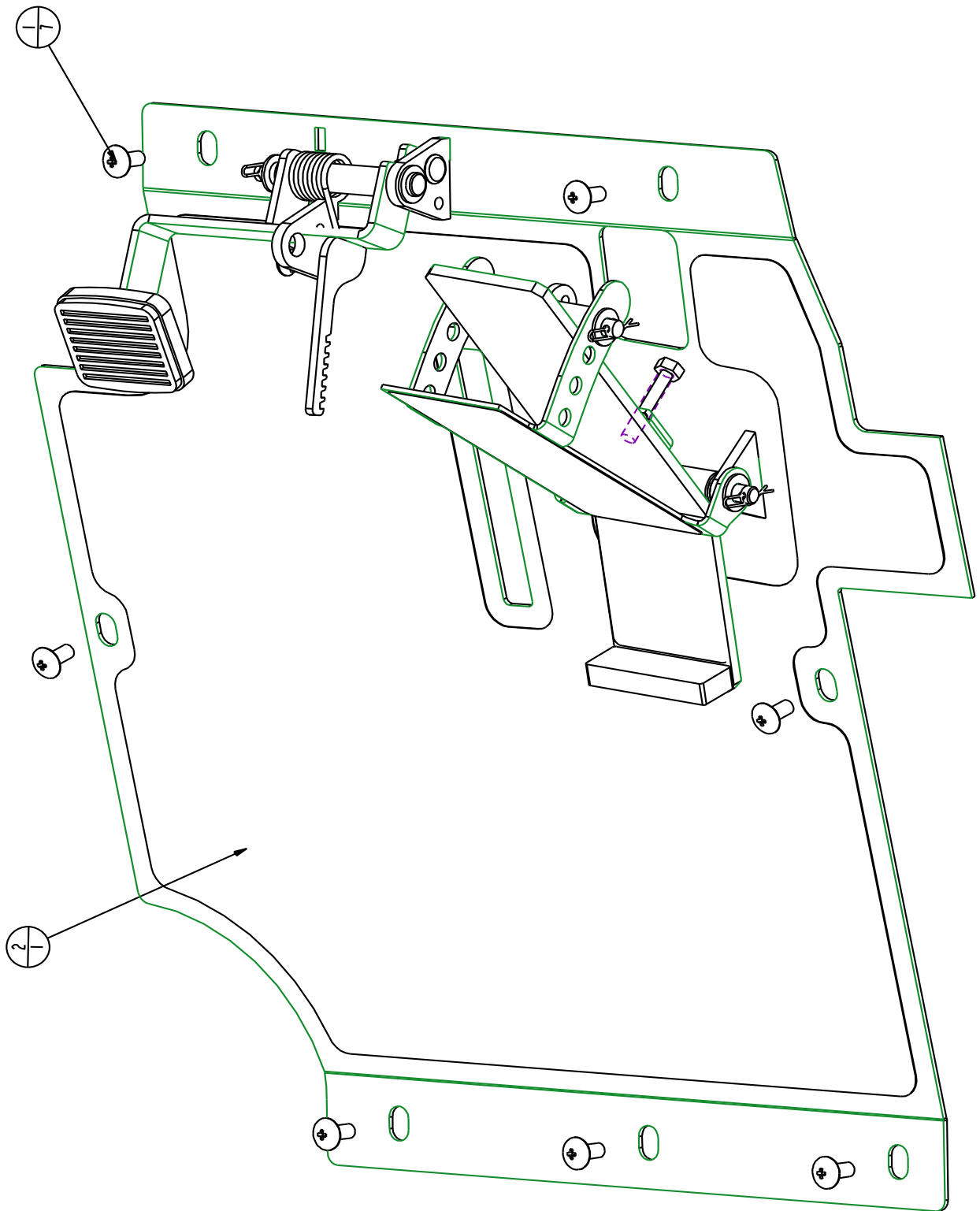
Reservoir, Hydraulic Assembly - 3341675, Revision A



Reservoir, Hydraulic Assembly - 3341675, Revision A

ITEM	PART NO.	REQ'D	DESCRIPTION
1	3300465	1	MOUNT-ISO IMP MNT
2	3302249	8	SPACER-NYLON .56 ODX 0.25ID
3	3302372	1	COVER-HYD RES
4	3302995	1	GASKET-HYD RES
5	3305576	1	FILTER/BREATHER ASSY FLOW-EZY
6	3312273	1	DIPSTICK-HYD RES
7	3334627	1	GASKET-RESERVOIR FILL CAP
8	3338184	1	FTG-90 ELBOW 12MORB X 12MJIC
9	3341043	1	STRAINER-HYD RES 100 MESH
10	3341126	1	FTG-90 ELBOW 20MORB X 20MJIC
11	3341720	1	WELD-RESERVOIR 5550
12	3400040	8	SCR-HEX 1/4-20X1.00Z P
13	3400045	1	SCR-8-32 X 5/8 PAN HD SLT ZP
14	3400082	1	NUT-HEX # 8-32 ES ZP
15	3400154	1	FTG-90 EL 3/4-16 MORB X -8JIC
16	3400161	1	FTG-TEE 3/4-16 MORB X -8JIC
17	3400164	4	FTG-PLUG 3/4-16 O-RING
18	3400172	6	NUT-HEX JAM 10-32 ES ZP
19	3400315	6	SCR-HEX 10-32 X 1/2 ZP

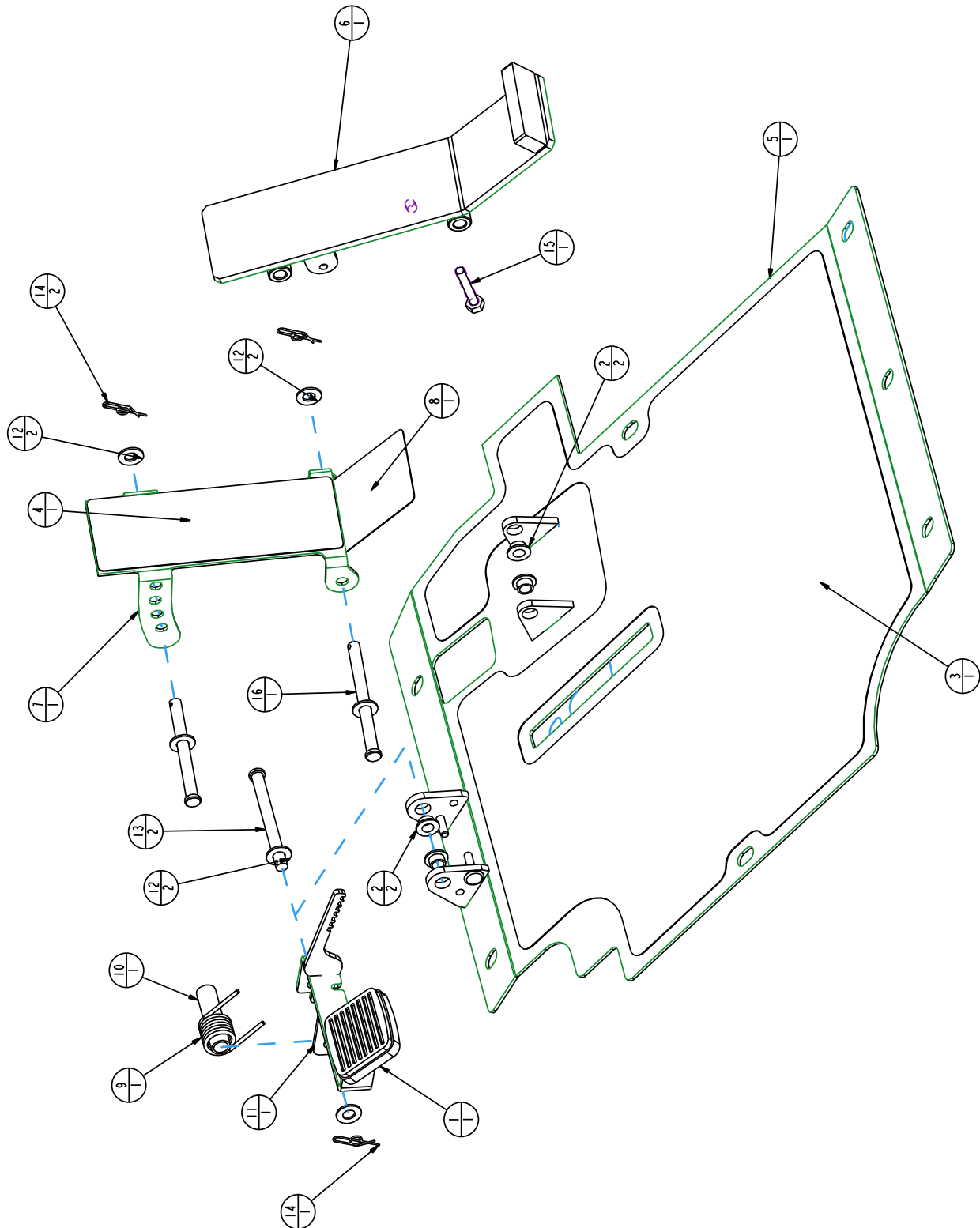
Floor Board Group - 3342647, Revision *



Floor Board Group - 3342647, Revision *

ITEM	PART NO.	REQ'D	DESCRIPTION
1	710197	7	SCREW TRUSS HEAD 5/16-18 X .75 PH ZP
2	3342642	1	SUB-FLOORPAN 1800 / 5550

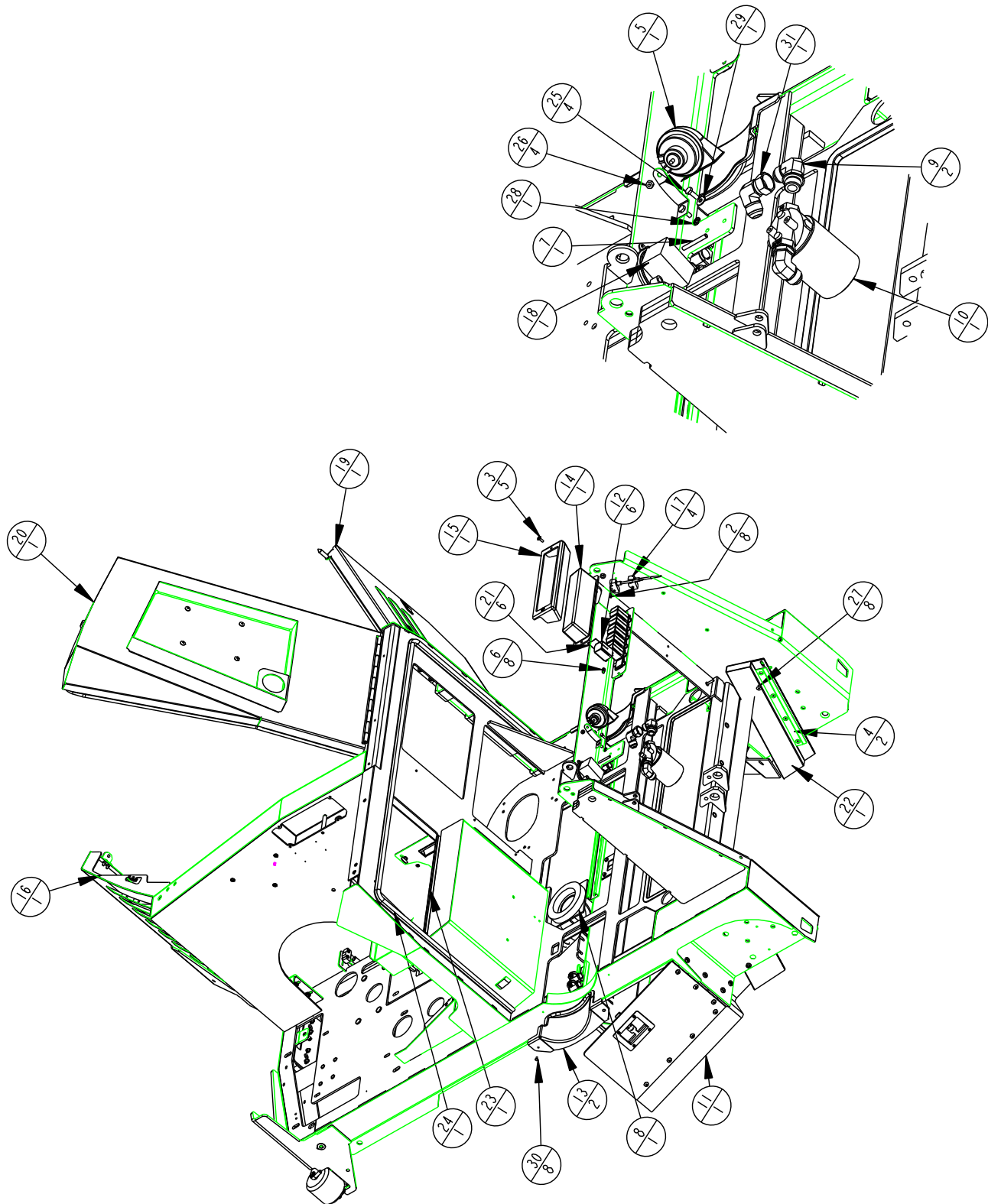
Floor Pan Assembly - 3342642, Revision B



Floor Pan Assembly - 3342642, Revision B

ITEM	PART NO.	REQ'D	DESCRIPTION
1	210142	1	PEDAL PAD
2	3300414	4	BUSHING-FLNG 3/8 NYLON
3	3341048	1	ANTI-SLIP PAD-FLOORPAN
4	3341091	1	DECAL-FWD/REV PEDAL
5	3341326	1	WELD-FLOORPAN 5550
6	3342030	1	WELDMENT-FWD/REV PEDAL
7	3342033	1	PLT-FWD/REV ADJ
8	3342051	1	DECAL-FWD/REV PEDAL
9	3342299	1	SPRING-TORSION
10	3342590	1	TUBE-5/8 OD X 14 GA WA X 2.44
11	3342643	1	WELD-BRAKE LOCK PEDAL
12	3400087	6	WASHER 3/8 ID .81 OD X .065 THK
13	3400114	2	PIN-CLEVIS 3/8 X 4.00 ZP
14	3400125	3	RUE RING-1/4 HEAVY ZP
15	3400311	1	SCR-HEX,5/16-18 X 1.75 ZP FULL T
16	3400734	1	PIN-CLEVIS 3/8 X 4.50 ZP

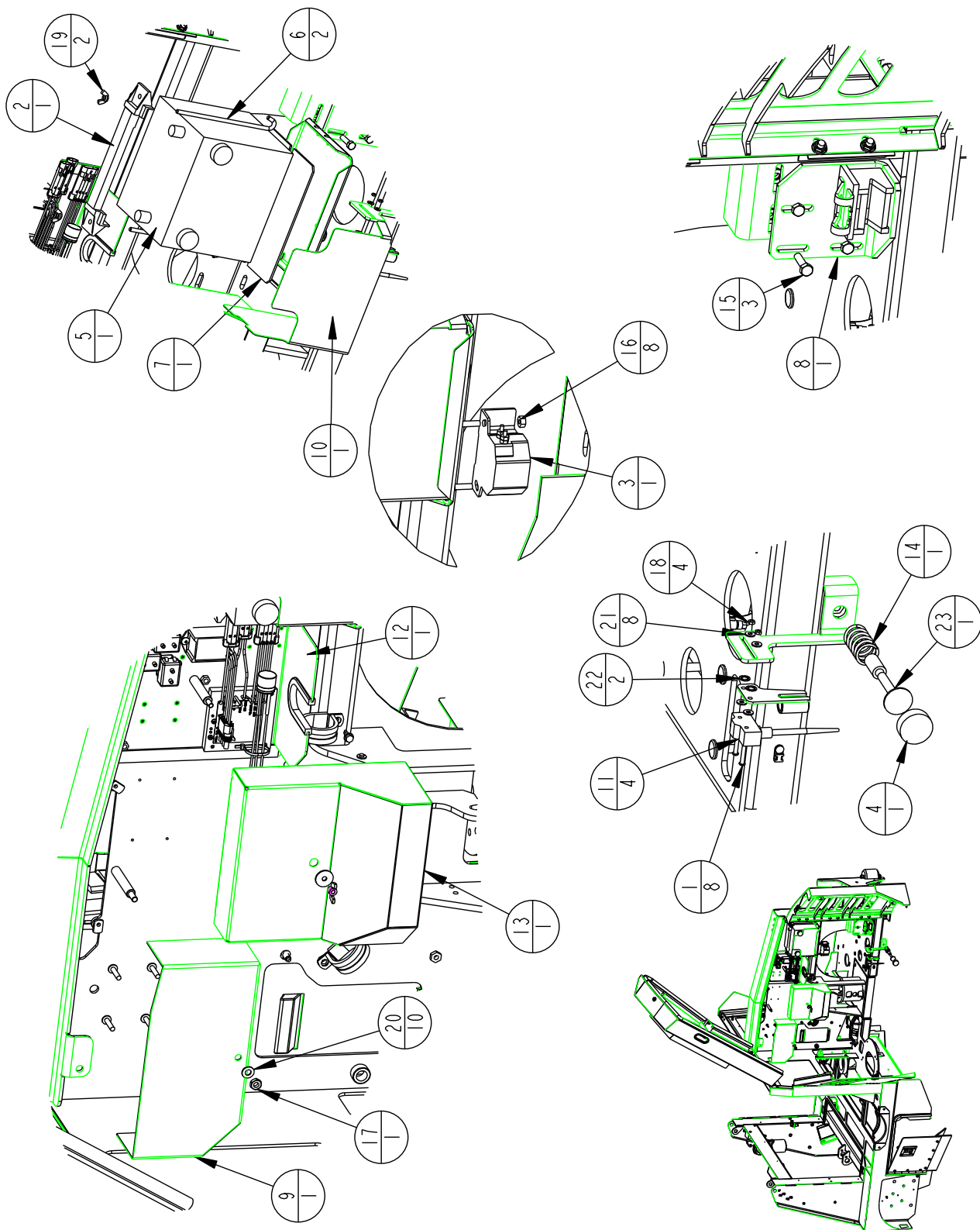
Frame Group - 3342960, Revision *



Frame Group - 3342960, Revision *

ITEM	PART NO.	REQ'D	DESCRIPTION
1	708	1	RTV SILICONE 10 OZ TUBE
2	710036	8	SCR-MC 8-32 X 1.50 ST PL
3	710180	5	SCR-MC TR HD 1/4-20x.75 STL ZINC
4	3300150	2	STRAP- HOPPER SIDE PNTD
5	3300379	1	HORN
6	3302472	8	MOUNT-WIRE TIE LOW PROFILE
7	3303105	1	FTG-NIPPLE 1/8"MPT X 2.00 LG
8	3307005	1	IMPELLER GASKET
9	3338184	2	FTG-90 ELBOW 12MORB X 12MJIC
10	3339334	1	HYD FILTER ASSY
11	3341653	1	SUB-RH BROOM DOOR
12	3342077	6	RELAY - POWER 16 AMP
13	3342178	2	DRIP SHIELD, SOLUTION TANK 5550
14	3342227	1	COVER, RELAYS
15	3342228	1	COVER FLANGE, RELAY SWITCHES
16	3342229	1	SUB-ENG COVER, REAR
17	3342546	4	SWITCH-WHISKER
18	3342706	1	SWITCH-PRESSURE, SERIES 1900 (
19	3342807	1	ASSY-EC, SIDE, 1800
20	3342808	1	ASSY-EC, TOP, 1800
21	3342926	6	RELAY-RETAINER CLIP
22	3343150	1	SEAL, LEFT HAND HOPPER SIDE
23	3343271	1	EDGING, VINYL .1875 X 18
24	3343306	1	WEATHERSTRIPPING, RUBBER, .88 X .69
25	3400042	4	SCR-HEX 1/4-20X.75 ZP
26	3400081	4	NUT-HEX 1/4-20 ES ZP
27	3400259	8	SCREW-FLAT HEAD 5/16-18 X 1/2
28	3400274	1	WASHER-STAR 1/4 ZP INT TEETH
29	3400383	1	WASHER CONICAL SPRING 1/4
30	3400484	8	RIVET-AVDEL 3/16 X .602
31	3400636	1	FTG-ADAPTOR SWIVEL NUT ELBOW

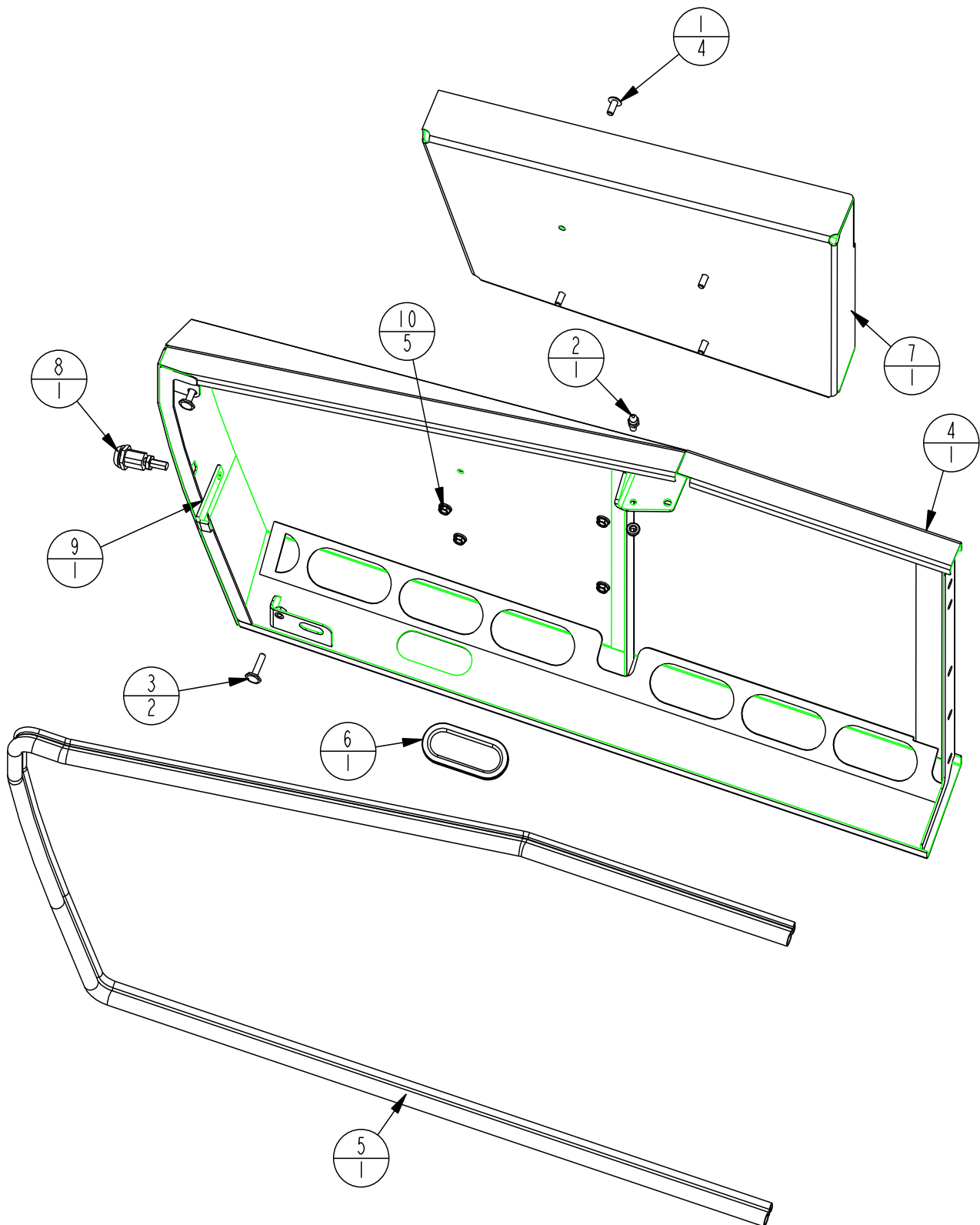
Frame Group - 3342960, Revision * (Continued)



Frame Group - 3342960, Revision * (Continued)

ITEM	PART NO.	REQ'D	DESCRIPTION
1	710036	8	SCR-MC 8-32 X 1.50 ST PL
2	3301076	1	HOLD DOWN-BATTERY 2-PIECE
3	3303002	1	HORN-BACK-UP
4	3304624	1	BUMPER-RUBBER CAP
5	3339406	1	BATTERY GENERIC
6	3341159	2	ROD-BATTERY TIE DOWN
7	3341162	1	TRAY PAD-BATTERY
8	3341393	1	WELD-SWING FRAME LATCH
9	3342294	1	WELD-SWITCH COVER
10	3342506	1	HEAT SHIELD, BATTERY, 5550
11	3342546	4	SWITCH-WHISKER
12	3342641	1	ASSY-FUSE PANEL (1800)
13	3342992	1	ASSY-COVER-FUSE PANEL
14	3343283	1	SPRING-COMP .960 X 2.00 ZINC
15	3400034	3	SCR-HEX,5/16-18X1.25 ZP
16	3400071	8	NUT-HEX 1/4-20 ZP
17	3400080	1	NUT-HEX 5/16-18 ES ZP
18	3400082	4	NUT-HEX # 8-32 ES ZP
19	3400085	2	NUT- WING 1/4-20 ZP
20	3400088	10	WASHER 5/16 ID .688 OD X .065 THK
21	3400096	8	WASHER-FLAT #8 ZP
22	3400277	2	WASHER-STAR #8 ZP INT TEETH
23	3400355	1	LEVELER-3/8-16 X 2 1/2

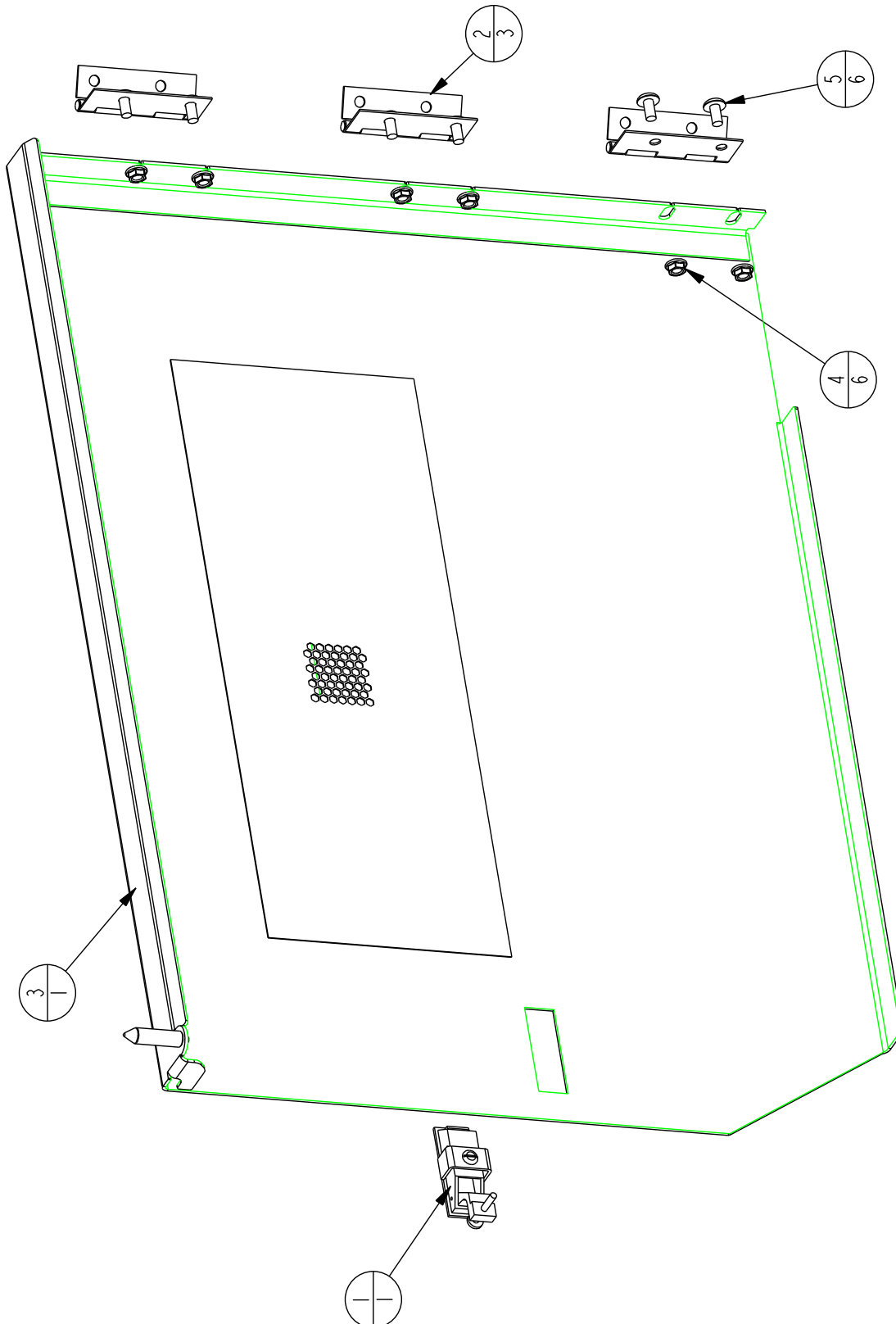
Engine Cover, Top Assembly - 3342808, Revision A



Engine Cover, Top Assembly - 3342808, Revision A

ITEM	PART NO.	REQ'D	DESCRIPTION
1	710197	4	SCREW TRUSS HEAD 5/16-18 X .75 PH ZP
2	3300376	1	STUD-BALL 10MM
3	3307639	2	LEVELER-5/16-18x1.5", 1" DIA,
4	3342823	1	WELD - EC, TOP, 1800
5	3342831	1	SEAL-TRIM
6	3342832	1	EDGING-VINYL 1/8 X 1/4
7	3342863	1	BOX, EC, TOP
8	3343017	1	LATCH, VISE ACTION, LARGE, 7MM KEY
9	3343066	1	PAWL-LATCH, 1800/5550 ENG COVER
10	3400390	5	NUT-FLANGE LOCK 5/16-18

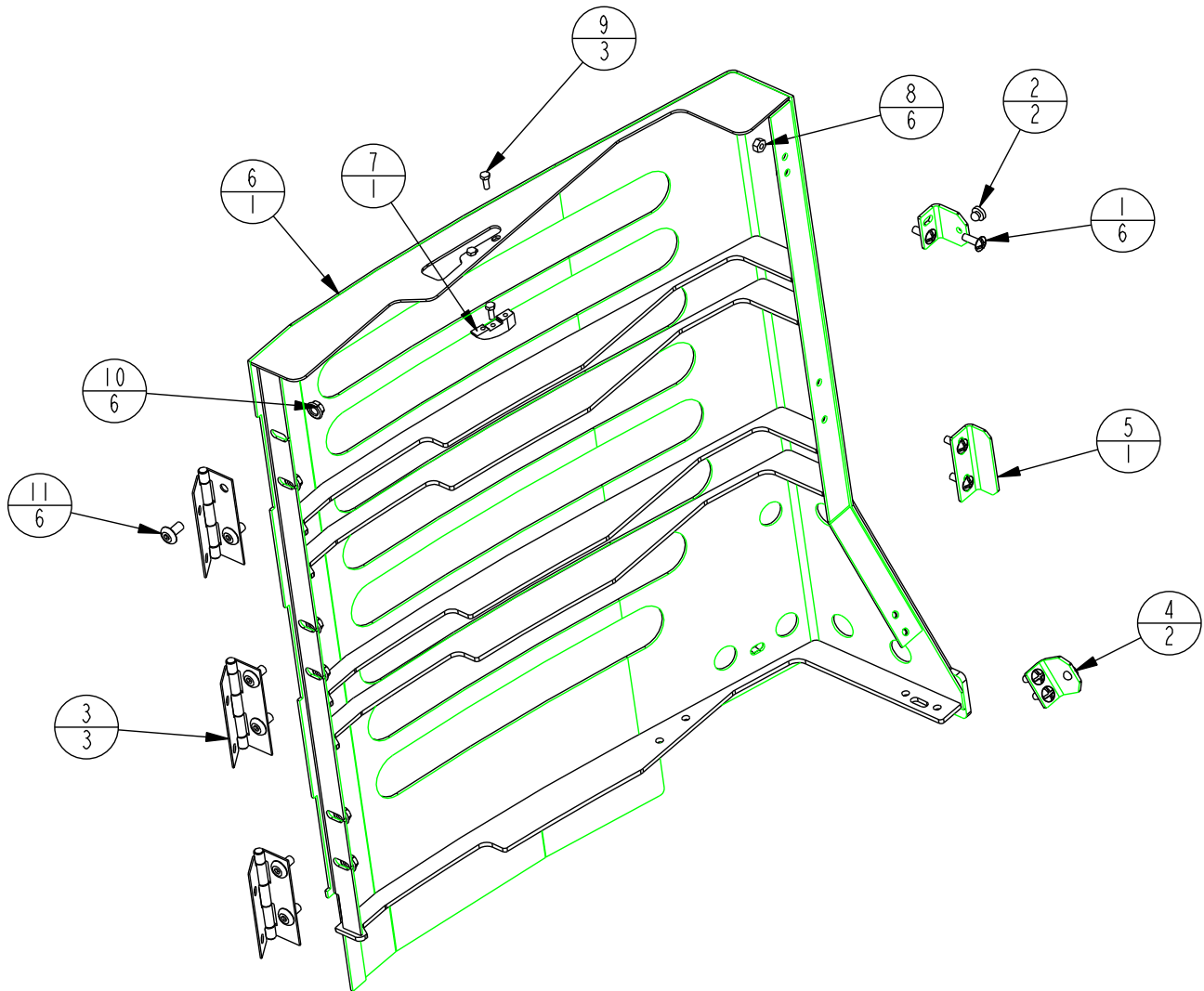
Engine Cover, Side Assembly - 3342807, Revision A



Engine Cover, Side Assembly - 3342807, Revision A

ITEM	PART NO.	REQ'D	DESCRIPTION
1	3300380	1	LATCH ASSY.
2	3307513	3	HINGE-WD 1.25 X .06 W X 4 LG
3	3342822	1	WELD - EC, SIDE, 1800
4	3400390	6	NUT-FLANGE LOCK 5/16-18
5	3401061	6	SCREW_BHCS 5/16-18 X 5/8 LG SS

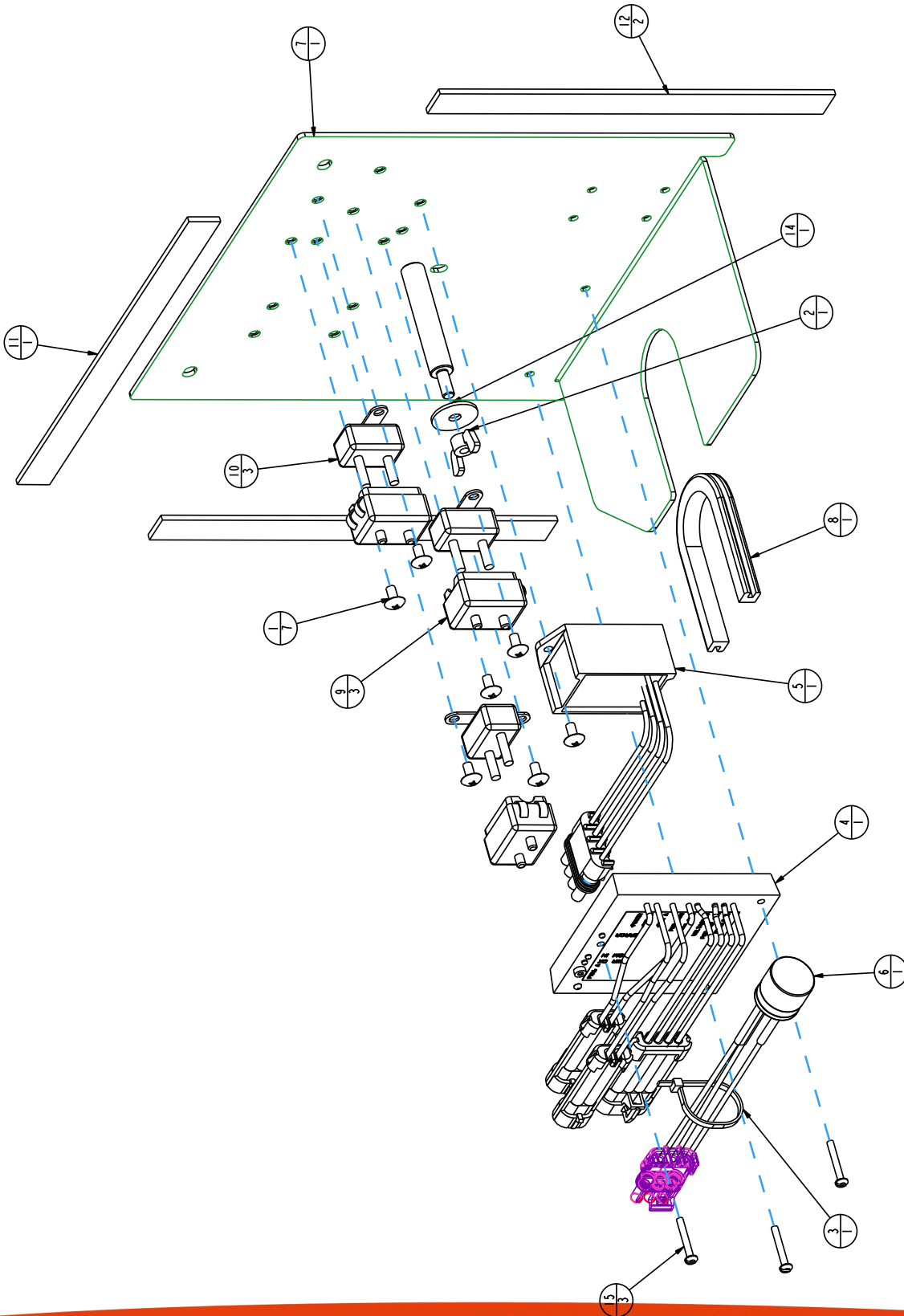
Engine Cover, Rear Assembly - 3342229, Revision B



Engine Cover, Rear Assembly - 3342229, Revision B

ITEM	PART NO.	REQ'D	DESCRIPTION
1	710180	6	SCR-MC TR HD 1/4-20x.75 STL ZINC
2	3300526	2	BUMPER - RUBBER GROMMET
3	3307513	3	HINGE-WD 1.25 X .06 W X 4 LG
4	3341362	2	STOP-EC SIDE DOOR
5	3341363	1	DOOR STRIKE-EC SIDE DOOR
6	3342230	1	WELDMENT-REAR DR ENG COVER
7	3342862	1	CATCH-PAWL LATCH
8	3400081	6	NUT-HEX 1/4-20 ES ZP
9	3400315	3	SCR-HEX 10-32 X 1/2 ZP
10	3400390	6	NUT-FLANGE LOCK 5/16-18
11	3401061	6	SCREW_BHCS 5/16-18 X 5/8 LG SS

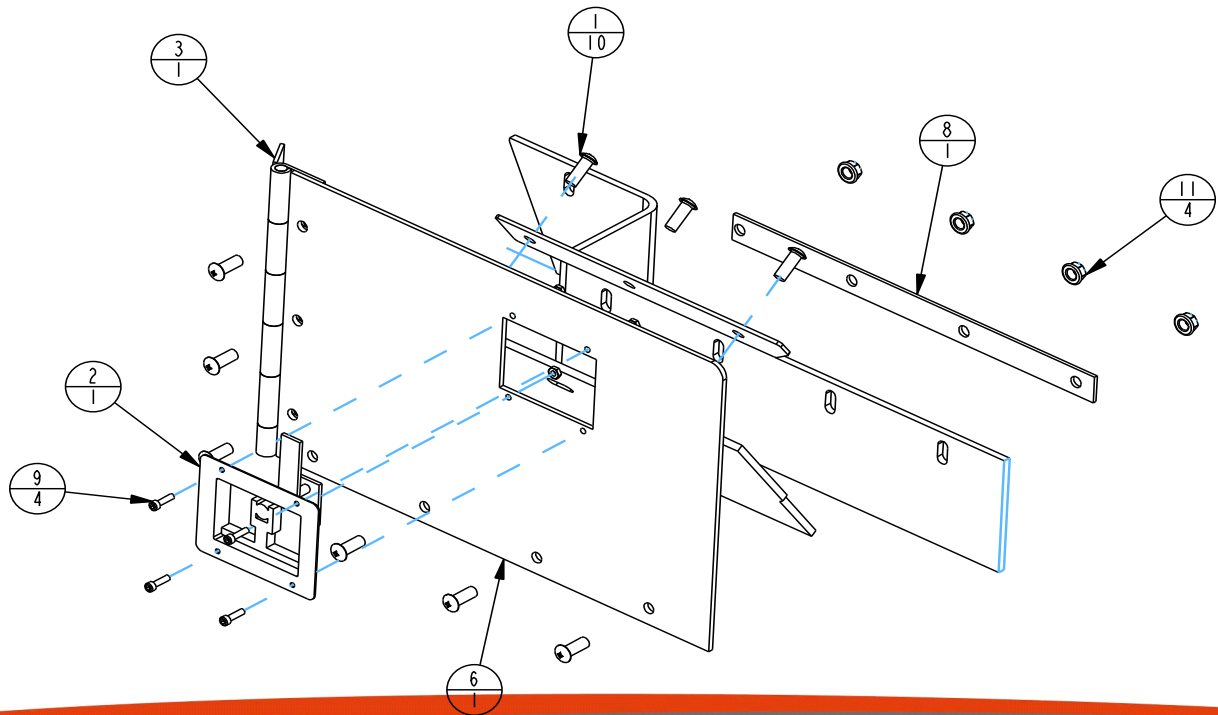
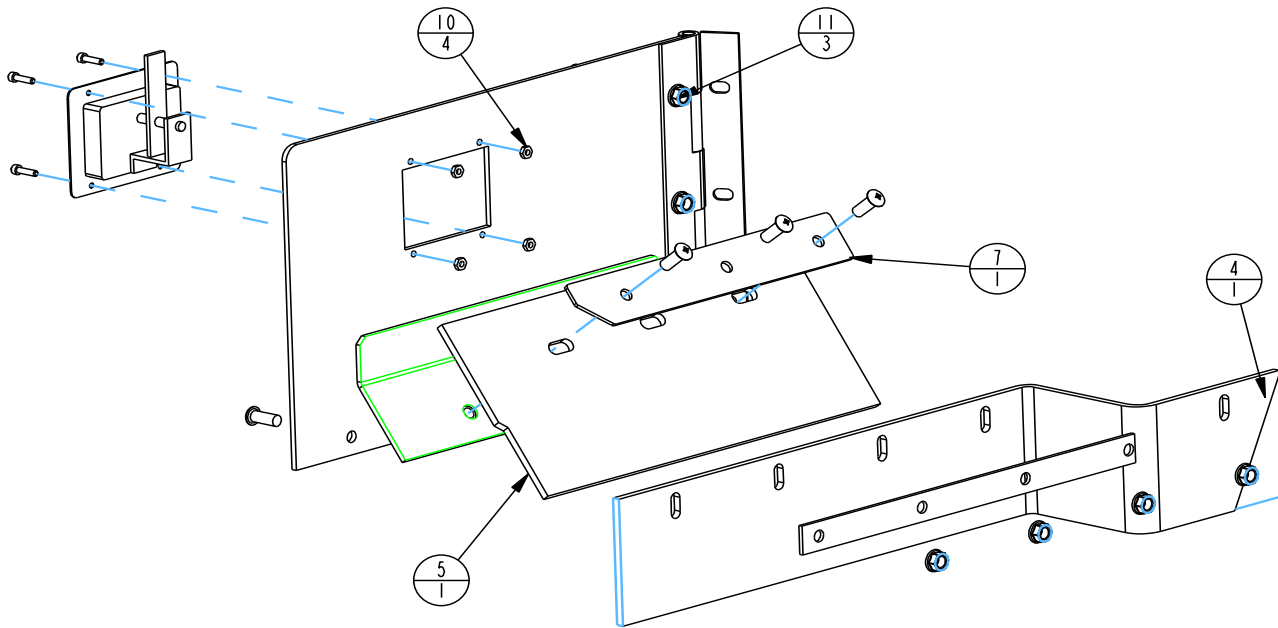
Fuse Panel Assembly - 3342641, Revision *



Fuse Panel Assembly - 3342641, Revision *

ITEM	PART NO.	REQ'D	DESCRIPTION
1	710153	7	SCR-MC 10-32X.63 TH ZINC
2	711368	1	NUT-WING 1/4-20 NYLOC PL
3	3302267	1	TIE-WIRE
4	3341132	1	VALVE-DRIVER-PRESSURE
5	3342093	1	TIMER - 10 SECOND OFF DELAY, 5 A CONTACT
6	3342272	1	OPC OFF DELAY TIMER
7	3342289	1	WELD-FUSE PANEL MNT
8	3342640	1	GROMMET- 2-1/8" ID
9	3342910	3	BOOT-INSULATOR-RED, CIRCUIT BRKR
10	3342912	3	CIRCUIT BREAKER, 15A, 12V
11	3342913	1	GASKET- 1/8 X 3/4 X 9-3/4
12	3342914	2	GASKET- 1/8 X 3/4 X 9-1/4
13	3342916	1	ADHESIVE, 3M SCOTCH GRIP 1357
14	3400090	1	WASHER 1/4 ID 1.0 OD X .074 THK
15	3400428	3	SCREW- PAN, #6-32 X 1.0 , SLT ZP

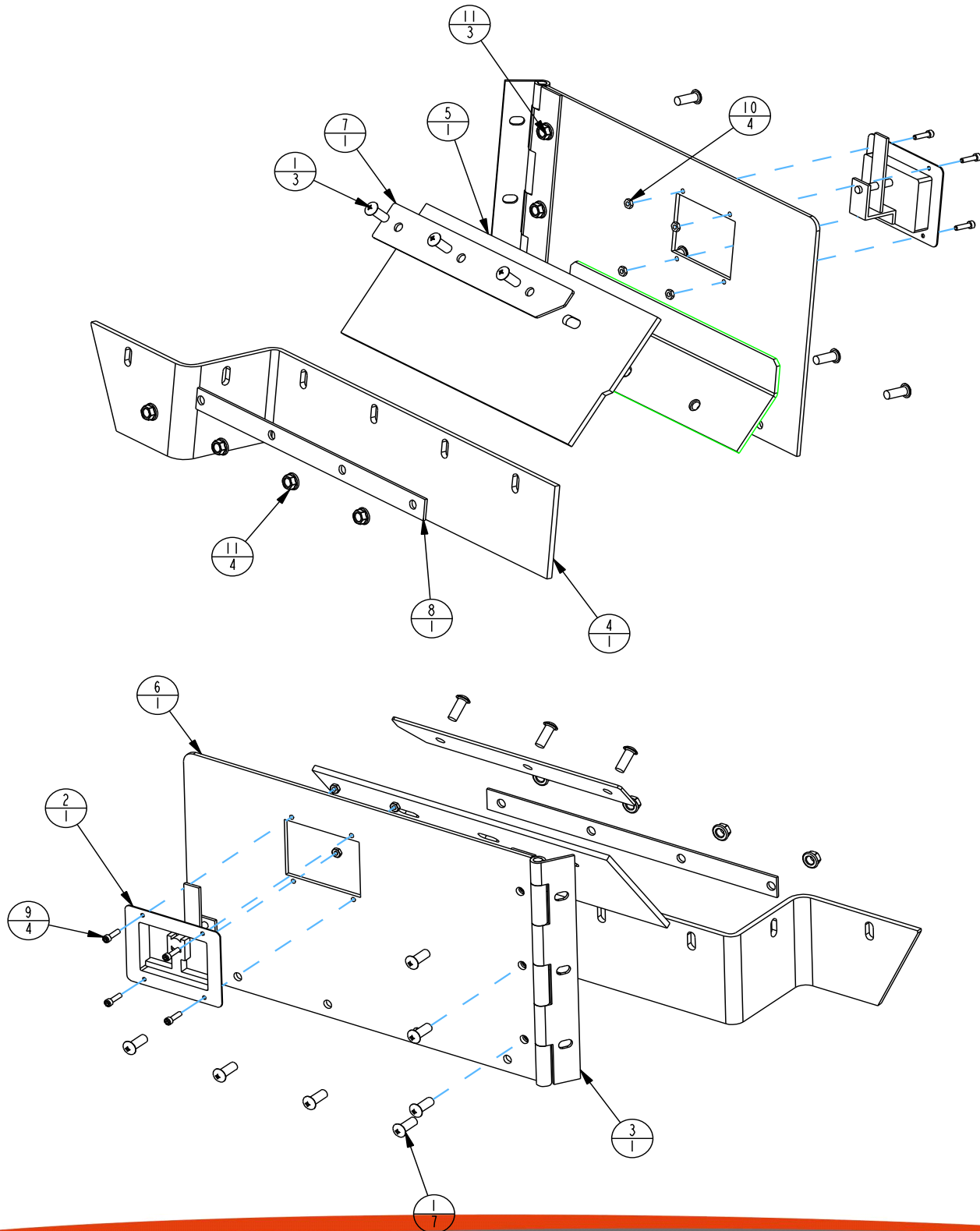
Broom Door, Left Hand Assembly - 3341652, Revision *



Broom Door, Left Hand Assembly - 3341652, Revision *

ITEM	PART NO.	REQ'D	DESCRIPTION
1	400790	10	SCR-THM 3/8-16X1.00 SS
2	3318595	1	LATCH- T-HANDLE
3	3318694	1	HINGE- 0.125 X 3.0 X 11.12
4	3341083	1	FLAP-BROOM DOOR
5	3341085	1	INNER FLAP-MB DOOR
6	3341470	1	WELD-LH BROOM DOOR
7	3341485	1	STRAP-MB DOOR INNER FLAP
8	3341486	1	STRAP-MB DOOR SIDE FLAP
9	3400048	4	SCR-SOC 10-32 X 0.75 ZP
10	3400172	4	NUT-HEX JAM 10-32 ES ZP
11	3400392	7	NUT-FLANGE LOCK 3/8-16

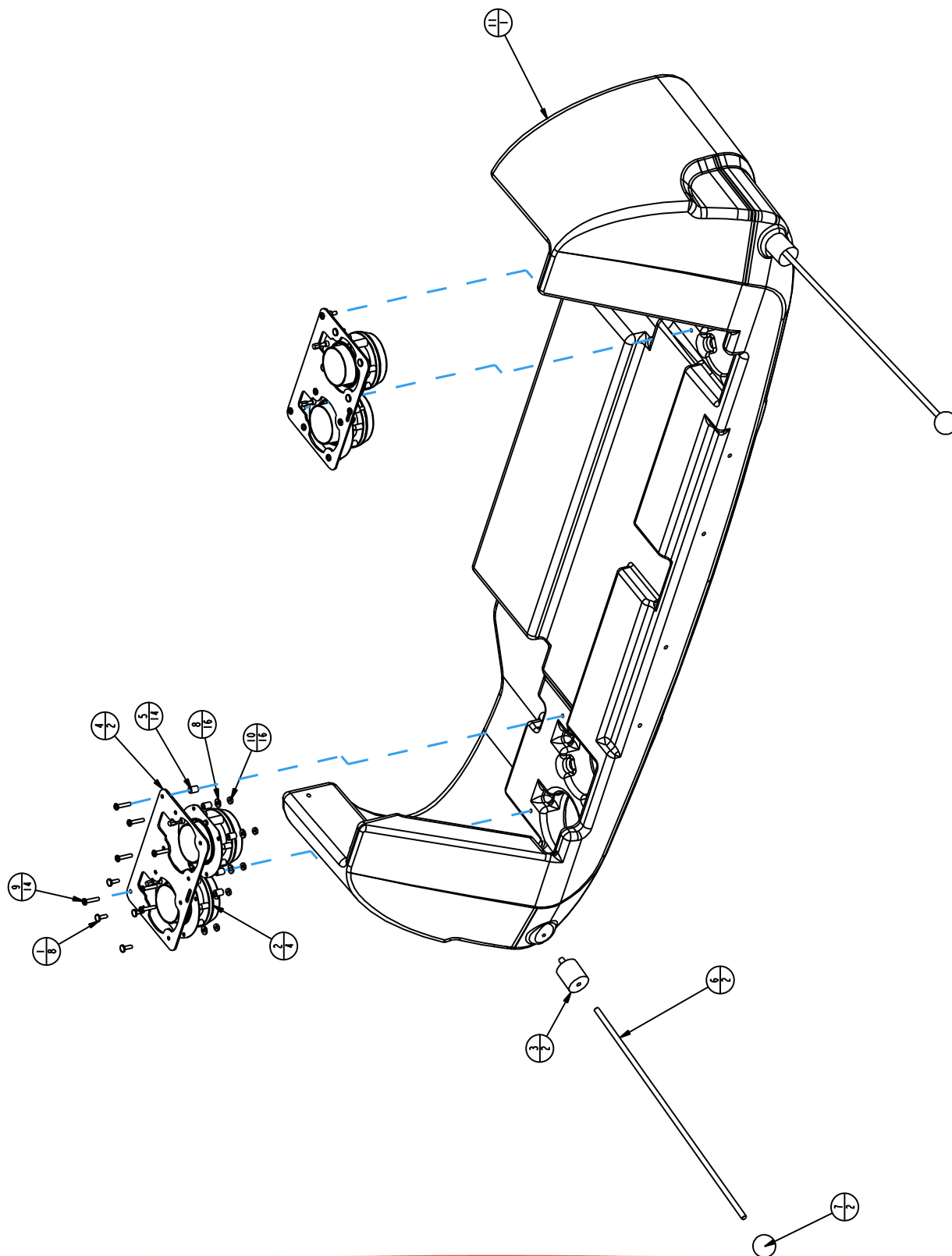
Broom Door, Right Hand Assembly - 3341653, Revision *



Broom Door, Right Hand Assembly - 3341653, Revision *

ITEM	PART NO.	REQ'D	DESCRIPTION
1	400790	10	SCR-THM 3/8-16X1.00 SS
2	3318595	1	LATCH- T-HANDLE
3	3318694	1	HINGE- 0.125 X 3.0 X 11.12
4	3341083	1	FLAP-BROOM DOOR
5	3341085	1	INNER FLAP-MB DOOR
6	3341477	1	WELD-RH BROOM DOOR
7	3341485	1	STRAP-MB DOOR INNER FLAP
8	3341486	1	STRAP-MB DOOR SIDE FLAP
9	3400048	4	SCR-SOC 10-32 X 0.75 ZP
10	3400172	4	NUT-HEX JAM 10-32 ES ZP
11	3400392	7	NUT-FLANGE LOCK 3/8-16

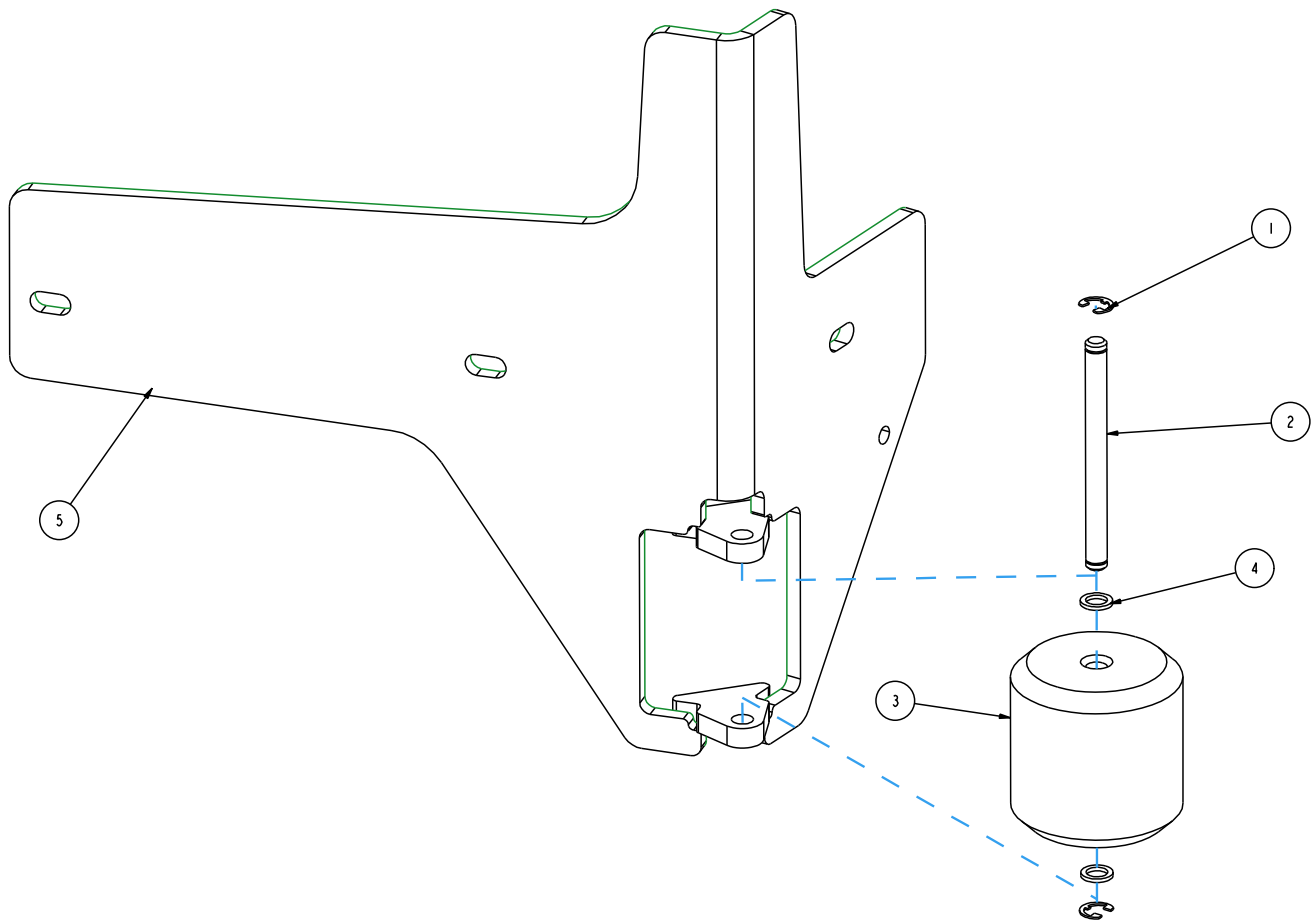
Front Bumper Assembly - 3342803, Revision A



Front Bumper Assembly - 3342803, Revision A

ITEM	PART NO.	REQ'D	DESCRIPTION
1	712536	8	SCR-MC 10-24 X .62 TH SS
2	3342287	4	LIGHT-HELLA HEAD (CAP & LIGHT ASSY-HAKO 1800)
3	3342539	2	ISOLATOR-IMP MNT
4	3342867	2	PLATE- MNT, HEAD LIGHT, 1800
5	3342868	14	SPACER-NYLON, .375 OD X .194 ID X .5 LG
6	3342993	2	ROD, 5/16 DIA, DBL END THRD
7	3342994	2	BALL, 1-3/8 DIA, PLASTIC
8	3400104	16	WASHER-LOCK # 10 SPLIT ZP
9	3400401	14	SCR-PAN #10-24 X 1" SS PHMS
10	3400480	16	NUT-HEX 10-24 ZP
11	3342478HK	1	BUMPER-HAKO 1800LPG GRAY PLASTIC FRONT

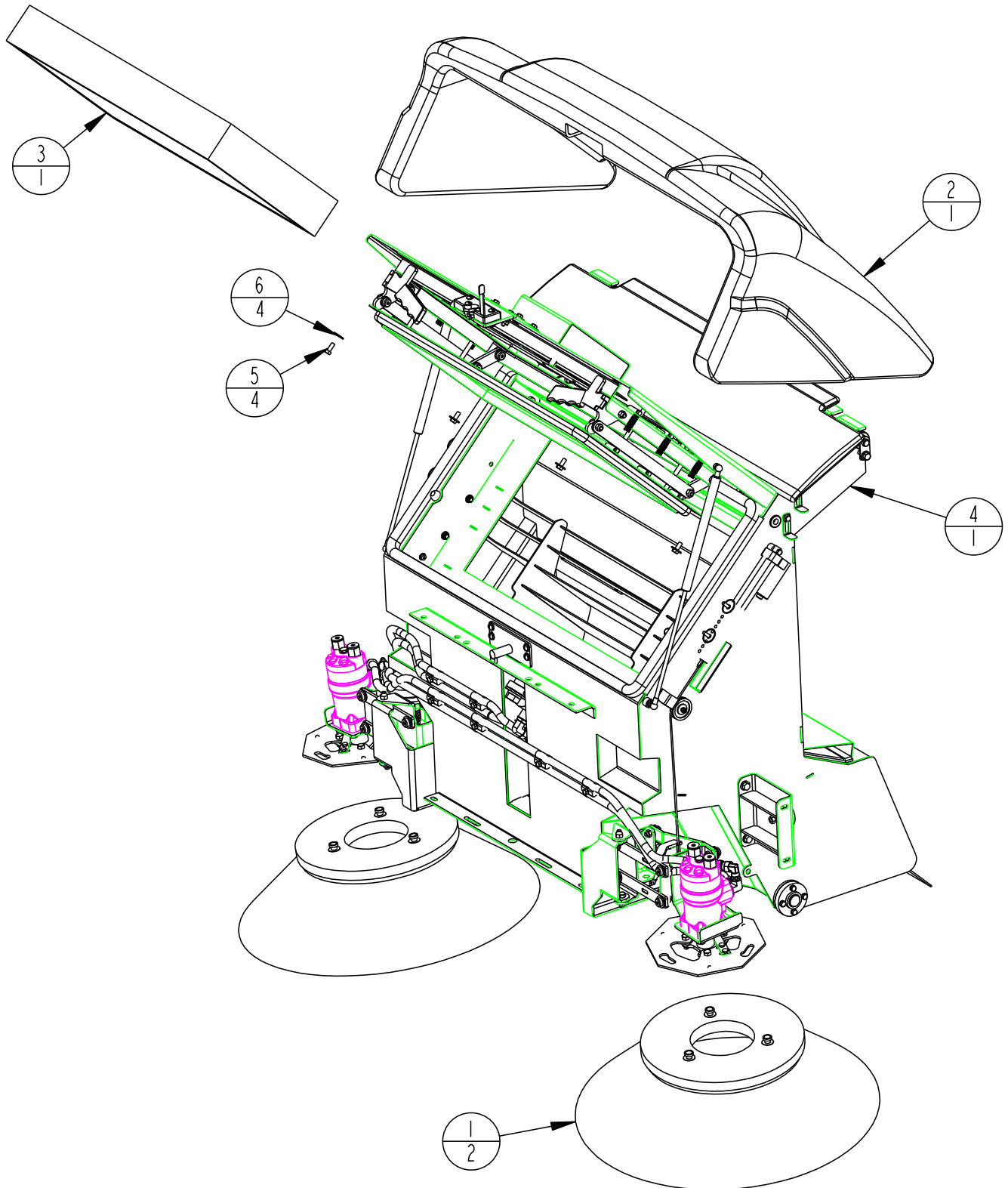
Rear Bumper, Right Hand Assembly - 3341669, Revision *



Rear Bumper, Right Hand Assembly - 3341669, Revision *

ITEM	PART NO.	REQ'D	DESCRIPTION
1	711713	2	RETAINING RING - "E" TYPE EXT .500
2	3341052	1	PIN-BUMPER GUARD
3	3341053	1	ROLL-BUMPER GUARD
4	3341054	2	SPACER-BUMPER GUARD
5	3341491	1	WELD-BUMPER GUARD RH

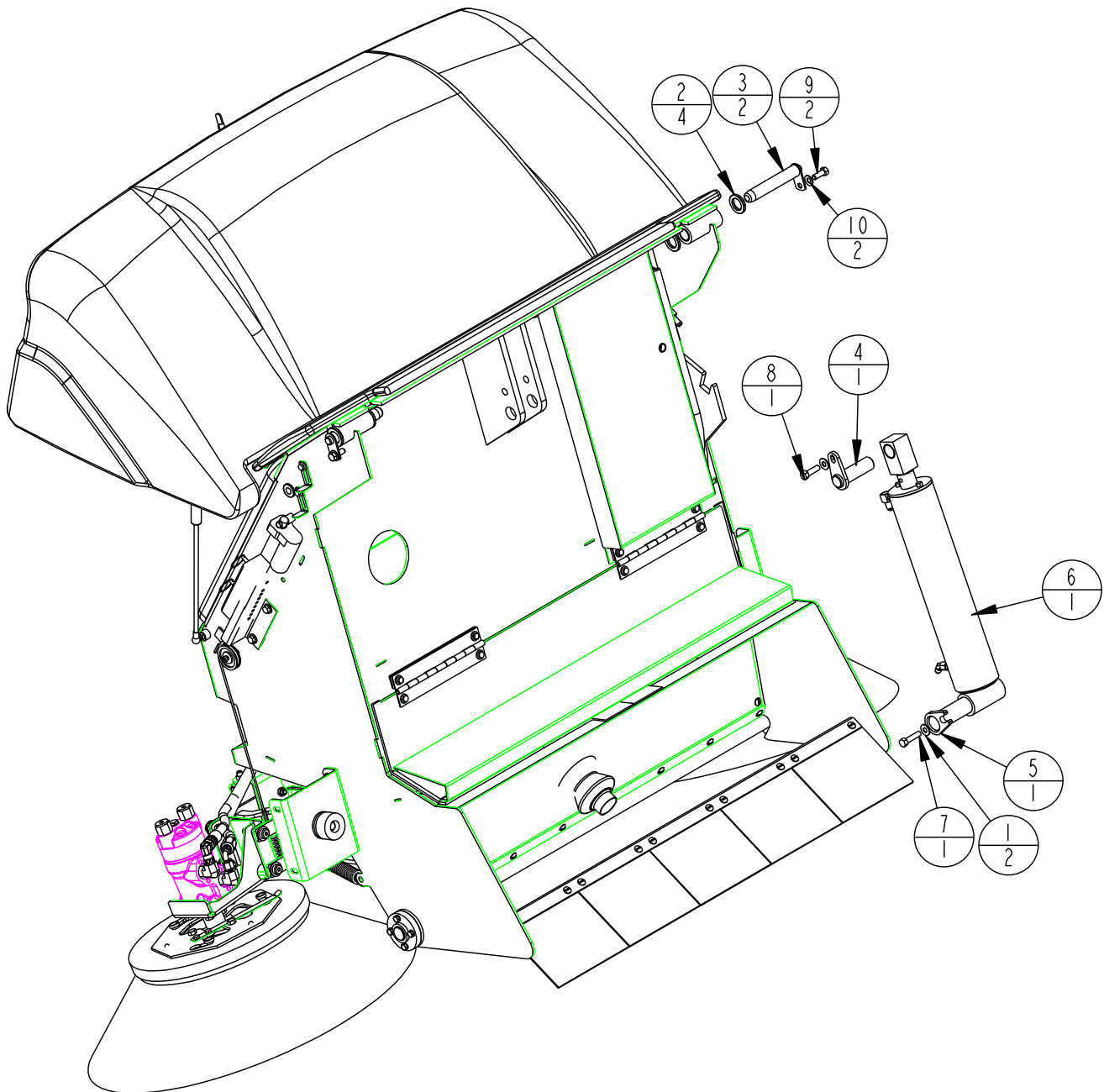
Hopper Group - 3342962, Revision *



Hopper Group - 3342962, Revision *

ITEM	PART NO.	REQ'D	DESCRIPTION
1	3300307	2	SIDE BROOM-24" POLY
2	3341005HK	1	COVER-HOPPER MAJOR
3	3342511	1	FILTER-HOPPER HAKO 1800
4	3342802	1	SUB-HOPPER 5550 HAKO
5	3400036	4	BOLT-HH 5/16-18X3/4
6	3400233	4	WASHER 5/16 ID 1.0 OD X .065 THK

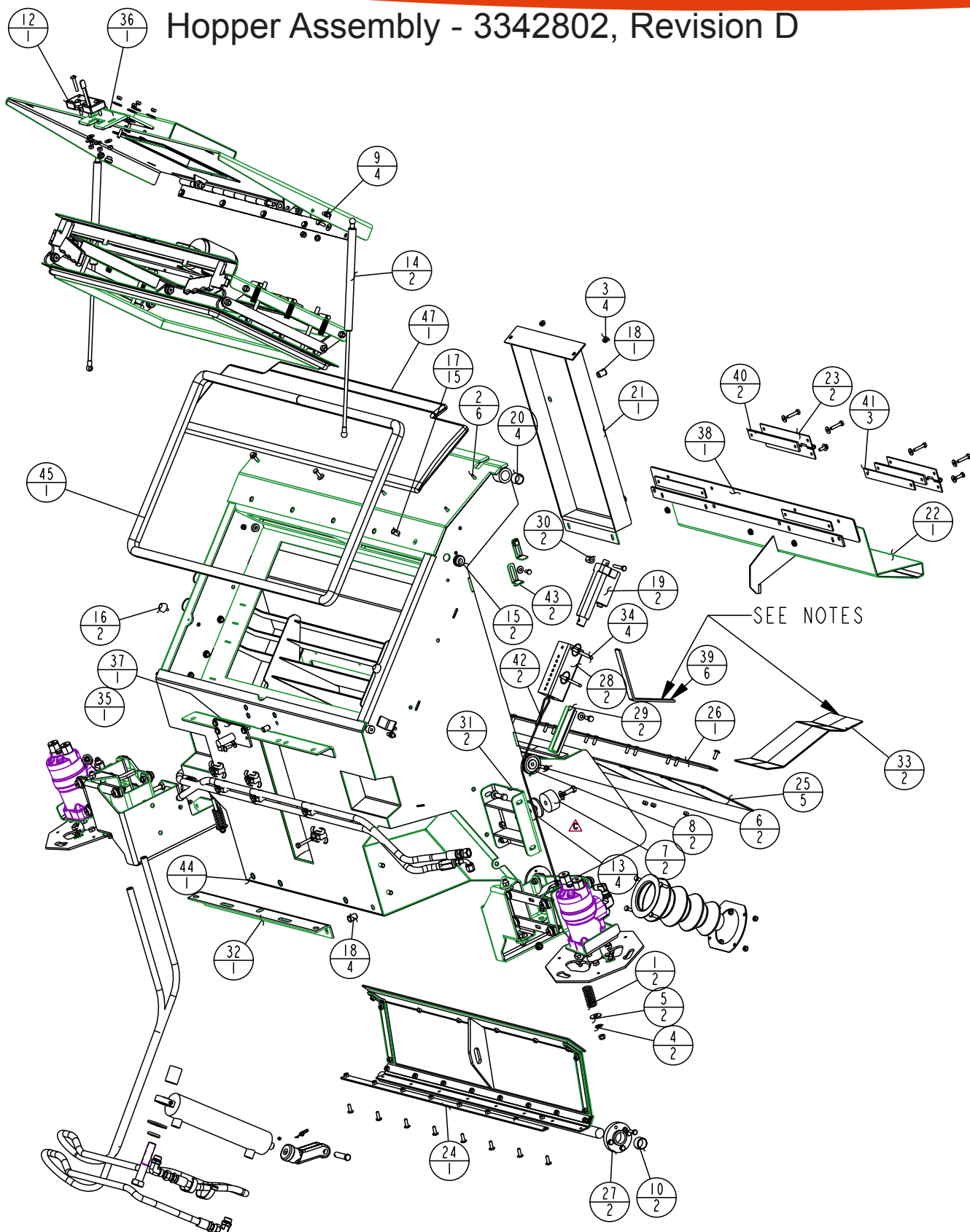
Hopper Group - 3342962, Revision * (Continued)



Hopper Group - 3342962, Revision * (Continued)

ITEM	PART NO.	REQ'D	DESCRIPTION
1	712301	2	WSR-FLAT .37 X .87 X .06
2	3341035	4	SPACER-HOPPER PIVOT
3	3341315	2	WELD-HOPPER PIN
4	3342717	1	WELD-PIN HOPPER CYL
5	3342974	1	WELD-PIN LOWER LIFT CYL.
6	3343262	1	CYLINDER, HOPPER LIFT ASSEMBLY
7	3400028	1	SCR-HEX 3/8 -16X1.50 ZP
8	3400029	1	SCR-HEX 3/8 -16X1.25 ZP
9	3400030	2	SCREW-HHM 3/8-16 X 1.0 LG ZP
10	3400385	2	WASHER CONICAL SPRING 3/8

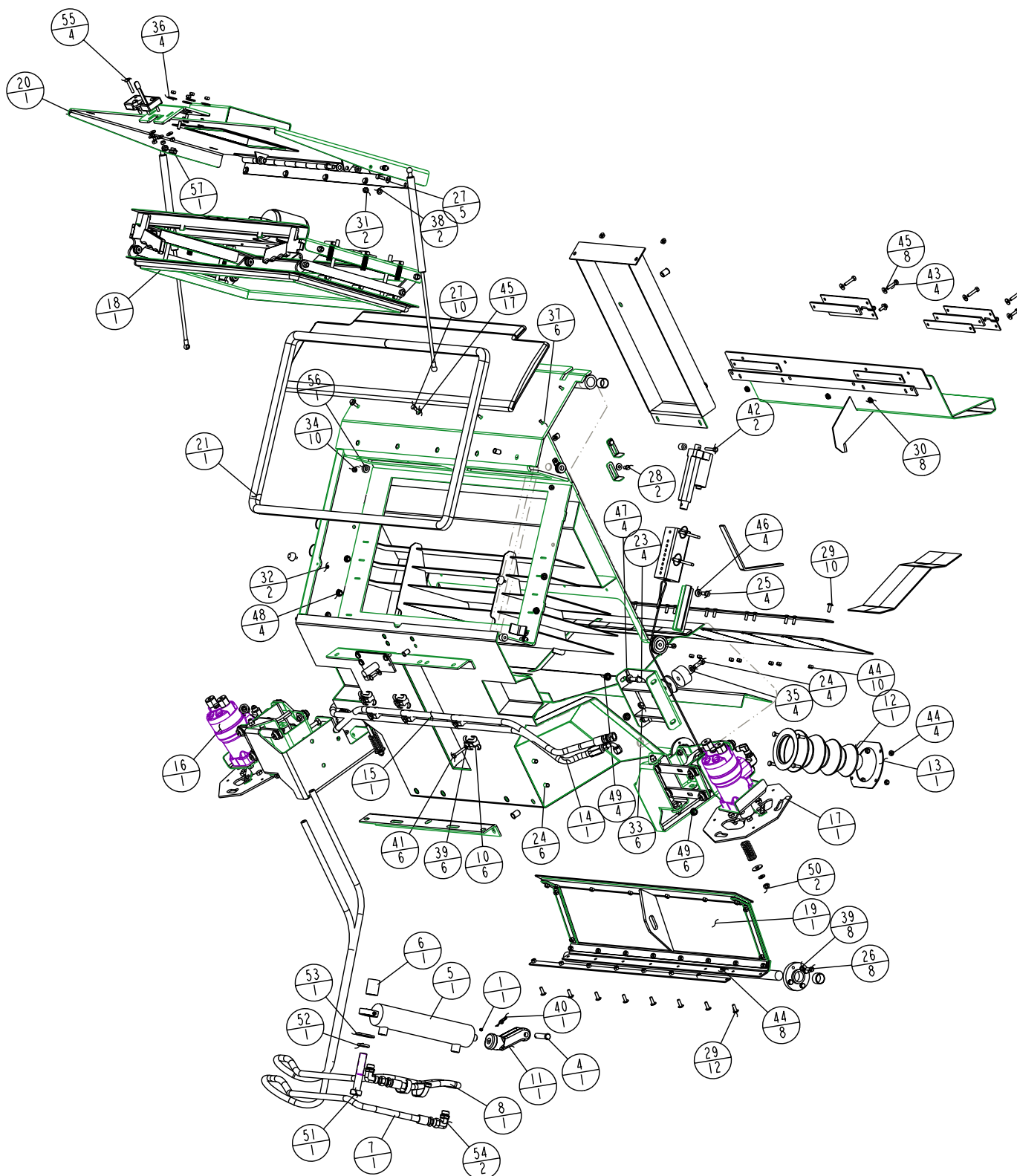
Hopper Assembly - 3342802, Revision D



Hopper Assembly - 3342802, Revision D

ITEM	PART NO.	REQ'D	DESCRIPTION
1	260137	2	COMPRESSION SPRING
2	711161	6	SCR-HI/LO 10 X 3/4 STL BLK ZINC
3	711425	4	NUT, HEX 1/4-20 WIZNUT
4	711506	2	WSR-FLT .344 X .690 X .062 STL ZINC
5	711507	2	WSR-FLAT .37 X 1.12 X .06
6	712070	2	BLT, SHLDR 5/16 X .75
7	3300338	2	BUMPER-RUBBER
8	3300368	2	PULLEY-PLASTIC
9	3300376	4	STUD-BALL 10MM
10	3300837	2	BEARING-1.125 OD X 1" ID X .75 DU
11	3302493	2	TIE-WIRE
12	3307247	1	LATCH-ROTARY
13	3307818	4	SPACER-SHOCK DISK PLTD
14	3308767	2	GAS SPRING-8" STROKE
15	3311564	2	GROMMET-1/2 ID RUBBER
16	3312413	2	BUMPER-RUBBER 0.88 DIA X 10-32
17	3322188	15	INSERT 1/4-20 UNC
18	3322189	5	INSERT 3/8-16 UNC
19	3332704	2	ACTUATOR-LINEAR 1.82 STROKE 12VDC
20	3341034	4	BEARING-7/8 ID X 1" OD X 3/4 LG.
21	3341867	1	WELDMENT-AIR CHAMBER
22	3341871	1	WELDMENT-CLEAN OUT DOOR
23	3341896	2	HINGE-HOPPER CLEAN-OUT DOOR
24	3341906	1	STRAP-DOOR PIVOT SEAL
25	3341907	5	SEAL-HOPPER DOOR
26	3341908	1	STRAP-HOPPER FLAP
27	3341909	2	HOUSING-DUMP DOOR BEARING
28	3341913	2	BLOCK-SIDE BROOM LIFT
29	3341914	2	BRKT-SIDE BROOM LIFT
30	3341916	2	SPACER-ACTUATOR MOUNT
31	3341917	2	WELDMENT-BUMPER MOUNT
32	3341977	1	ANGLE-BUMPER MOUNT
33	3341983	2	SEAL-HOPPER CLEAN-OUT
34	3342044	4	PIN-QUICK RELEASE 1/4 X 1.60
35	3342067	1	HOSE-.38 AR 82.0 ST#6 90#6
36	3342116	1	PLATE-LATCH BRKT
37	3342120	1	WELD-STRIKER
38	3342124	1	FLAP-DOOR HINGE
39	3342156	6	SEAL-HOPPER DUST SHORT
40	3342180	2	SHIM-CLEANOUT DOOR 7 GA
41	3342183	3	SHIM-CLEANOUT DOOR 12 GA
42	3342540	2	CABLE-SIDE BRM LIFT, HAKO 1800
43	3342592	2	ACTUATOR-SWITCH
44	3342610	1	WELD-HOPPER HAKO
45	3343124	1	SEAL, HOPPER DOOR
46	3343164	1	ADHESIVE, LOCTITE 435
47	3341006HK	1	COVER-HAKO ORANGE PLASTIC HOPPER MINOR

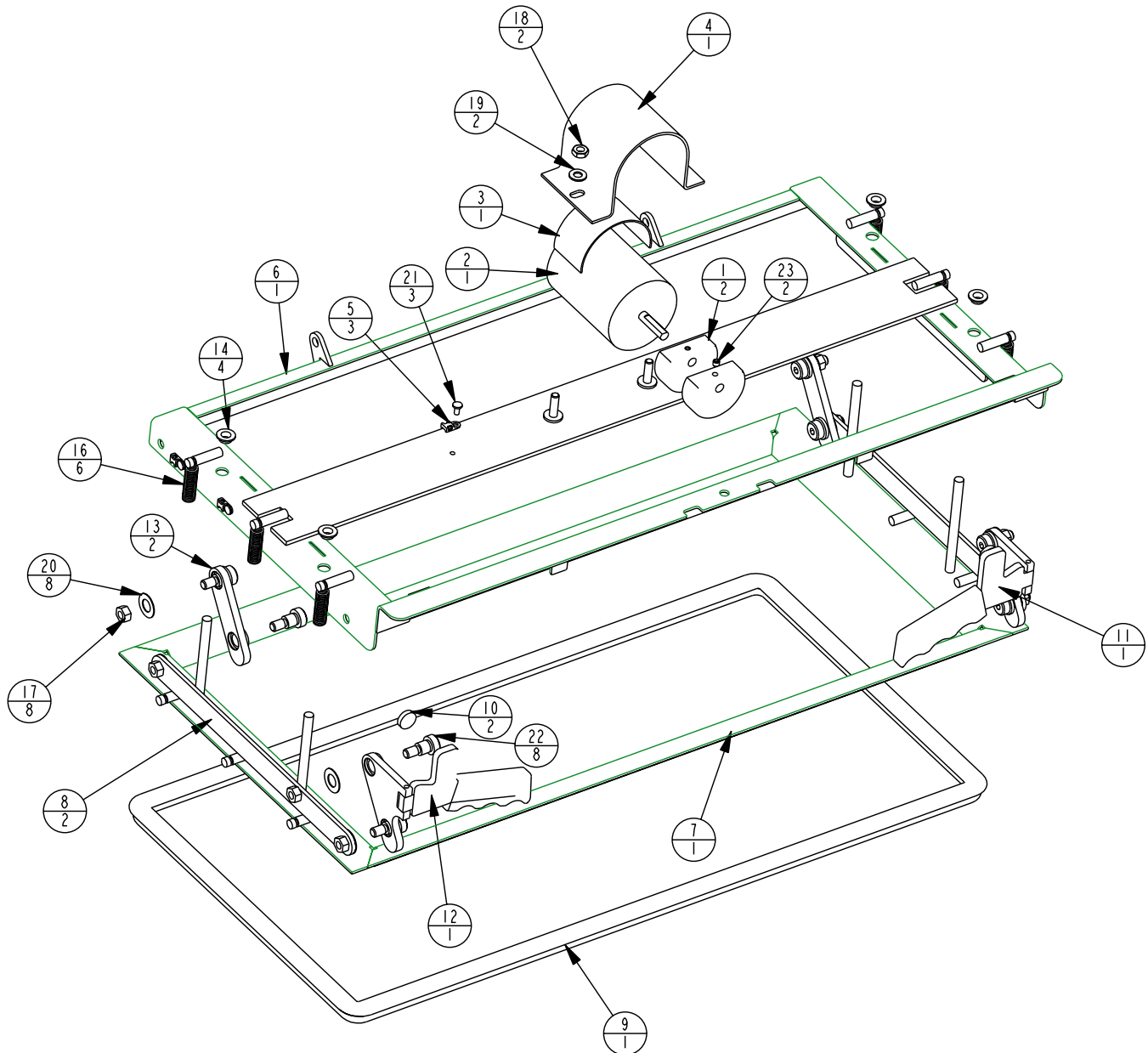
Hopper Assembly - 3342802, Revision D (Continued)



Hopper Assembly - 3342802, Revision D (Continued)

ITEM	PART NO.	REQ'D	DESCRIPTION
1	711011	1	SCR-SK 1/4-20 X .25 - CUP PT. SET SCR
2	3302493	2	TIE-WIRE
3	3307818	4	SPACER-SHOCK DISK PLTD
4	3308225	1	PIN-CLEVIS 1/2 X 2.00 ZP
5	3318452	1	CYL-2" BORE X 8" STROKE
6	3341911	1	SPACER-CYLINDER MOUNT
7	3341975	1	HOSE-.375 AR 93.0 ST #6 ST #6
8	3341976	1	HOSE-.375 AR 102.0 ST#6 ST#6
9	3342156	6	SEAL-HOPPER DUST SHORT
10	3342611	6	RETAINER-HOSE 5/8 PLASTIC
11	3342612	1	CLEVIS-HOPPER DOOR HAKO
12	3342613	1	BELLOWS-DUMP DOOR HAKO
13	3342707	1	MNT-BELLOWS
14	3342791	1	HOSE-.38 AR 133" 90#6 ST#6
15	3342792	1	HOSE-.38 AR 61" ST#6 90#6
16	3342843	1	ASSY-SIDE BROOM RH (HAKO)
17	3342844	1	ASSY-SIDE BROOM LH (HAKO)
18	3342940	1	SUB-FILTER SHAKER 1800/5550
19	3342995	1	SUB-HOPPER DUMP DOOR 5550/1800
20	3342996	1	ASSY - HOPPER LID 5550/1800
21	3343124	1	SEAL, HOPPER DOOR
22	3343164	1	ADHESIVE, LOCTITE 435
23	3400029	4	SCR-HEX 3/8 -16X1.25 ZP
24	3400030	10	SCREW-HHM 3/8-16 X 1.0 LG ZP
25	3400036	4	BOLT-HH 5/16-18X3/4
26	3400041	8	SCREW-HHM 1/4-20 X .875 LG ZP
27	3400042	15	SCR-HEX 1/4-20X.75 ZP
28	3400043	2	SCR-HEX 1/4-20X.50 ZP
29	3400059	22	SCR-THM 1/4-20 X 0.75 TRUSS SLOTTED SS
30	3400063	8	NUT-FLANGE LOCK 1/4-20 ZP
31	3400070	2	NUT, HEX 5/16-18 ZP
32	3400072	2	NUT-HEX # 10-32 ZP
33	3400079	6	NUT-HEX 3/8-16 ES ZP
34	3400081	10	NUT-HEX 1/4-20 ES ZP
35	3400087	4	WASHER 3/8 ID .81 OD X .065 THK
36	3400090	4	WASHER 1/4 ID 1.0 OD X .074 THK
37	3400095	6	WASHER .22 ID .50 OD X .049 THK
38	3400102	2	WASHER-LOCK 5/16 SPLIT ZP
39	3400103	14	WASHER-LOCK 1/4 SPLIT ZP
40	3400124	1	PIN-COTTER 5/8 RUE-RING
41	3400149	6	SCREW-HHM 1/4-20 X 1.5 LG
42	3400173	2	SCREW-HHM 1/4-20 X 1.75 LG ZP
43	3400227	4	SCREW-HHM 1/4-20 X 1.25 LG ZP
44	3400324	22	NUT, HEX 1/4-20 NYLOC SS
45	3400383	25	WASHER CONICAL SPRING 1/4
46	3400384	4	WASHER CONICAL SPRING 5/16
47	3400385	4	WASHER CONICAL SPRING 3/8
48	3400390	4	NUT-FLANGE LOCK 5/16-18
49	3400392	10	NUT-FLANGE LOCK 3/8-16
50	3400420	2	NUT-HEX NYLOC 5/16-24
51	3400421	1	SCR-HEX 3/4-10 X 4.00 ZP
52	3400435	1	WASHER-LOCK 3/4 SPLIT ZP
53	3400440	1	WASHER-FLAT .812 ID X 2.0 OD X .148 THK
54	3400634	2	FTG-ADAPTOR 90' ELBOW 1/2-20
55	3400732	4	SCR-THM 1/4-20 X 1.50 TRUSS SLOTTED ZP
56	3400793	1	FTG-90 DEG 3/8 BARB TO 1/4 NPT
57	3402074	1	KNOB-KNURLED 1/4-20

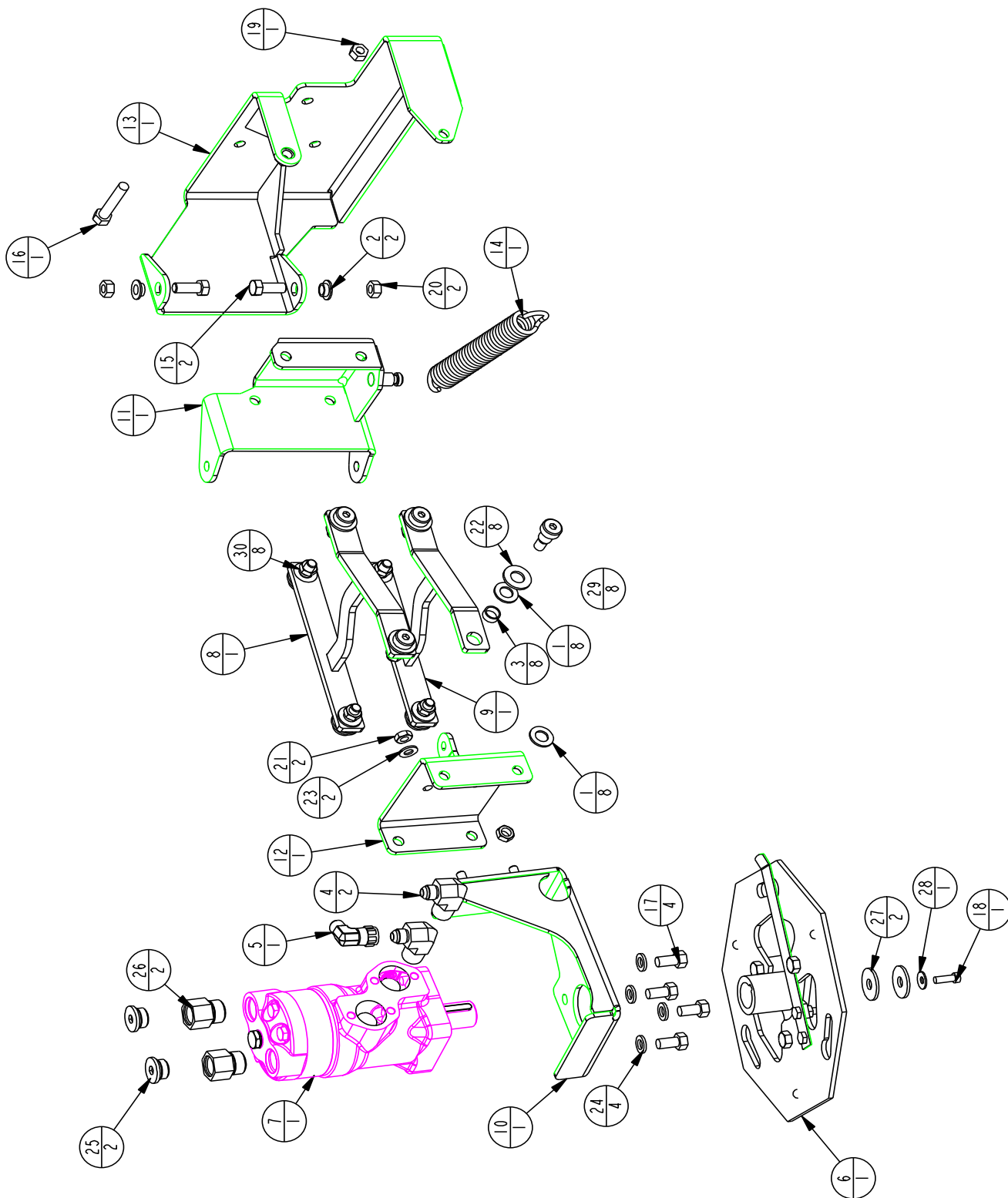
Filter Shaker Assembly - 3342940, Revision A



Filter Shaker Assembly - 3342940, Revision A

ITEM	PART NO.	REQ'D	DESCRIPTION
1	301053	2	WEIGHT-ECCENTRIC
2	3300424	1	MOTOR-FILTER SHAKER
3	3300904	1	MOUNT-NEOPRENE SHAKER MTR
4	3300915	1	RETAINER SHAKER MOTOR
5	3302472	3	MOUNT-WIRE TIE LOW PROFILE
6	3341875	1	WELD-UPPER FILTER FRAME
7	3341884	1	WELD-LOWER FILTER FRAME
8	3341893	2	LINK-FILTER RELEASE
9	3342161	1	SEAL-5550 FILTER RETAINER
10	3342193	2	MAGNET-3/4 DIA X 3/16 THK
11	3343034	1	ASSY-CAM, FILTER RELEASE, LH
12	3343035	1	ASSY-CAM, FILTER RELEASE, RH
13	3343043	2	ASSY-CAM, FILTER RELEASE, REAR
14	3343046	4	BUSHING-FLNG 25/64, NYLON
15	3343184	1	ADHESIVE- ACRYLIC, LOCTITE, 330, 250 ML
16	3347664	6	SPRING-EXT 0.5 OD X .063 WIRE X 2.5 LG.
17	3400079	8	NUT-HEX 3/8-16 ES ZP
18	3400080	2	NUT-HEX 5/16-18 ES ZP
19	3400088	2	WASHER 5/16 ID .688 OD X .065 THK
20	3400178	8	BEARING-THRUST .531 ID X 1.00 OD
21	3400484	3	RIVET-AVDEL 3/16 X .602
22	3400720	8	SCR-HSS 1/2 DIA X .50 BLK OX
23	3400826	2	SCR-SET 1/4-28 X .25 - CUP PT. SET SCR

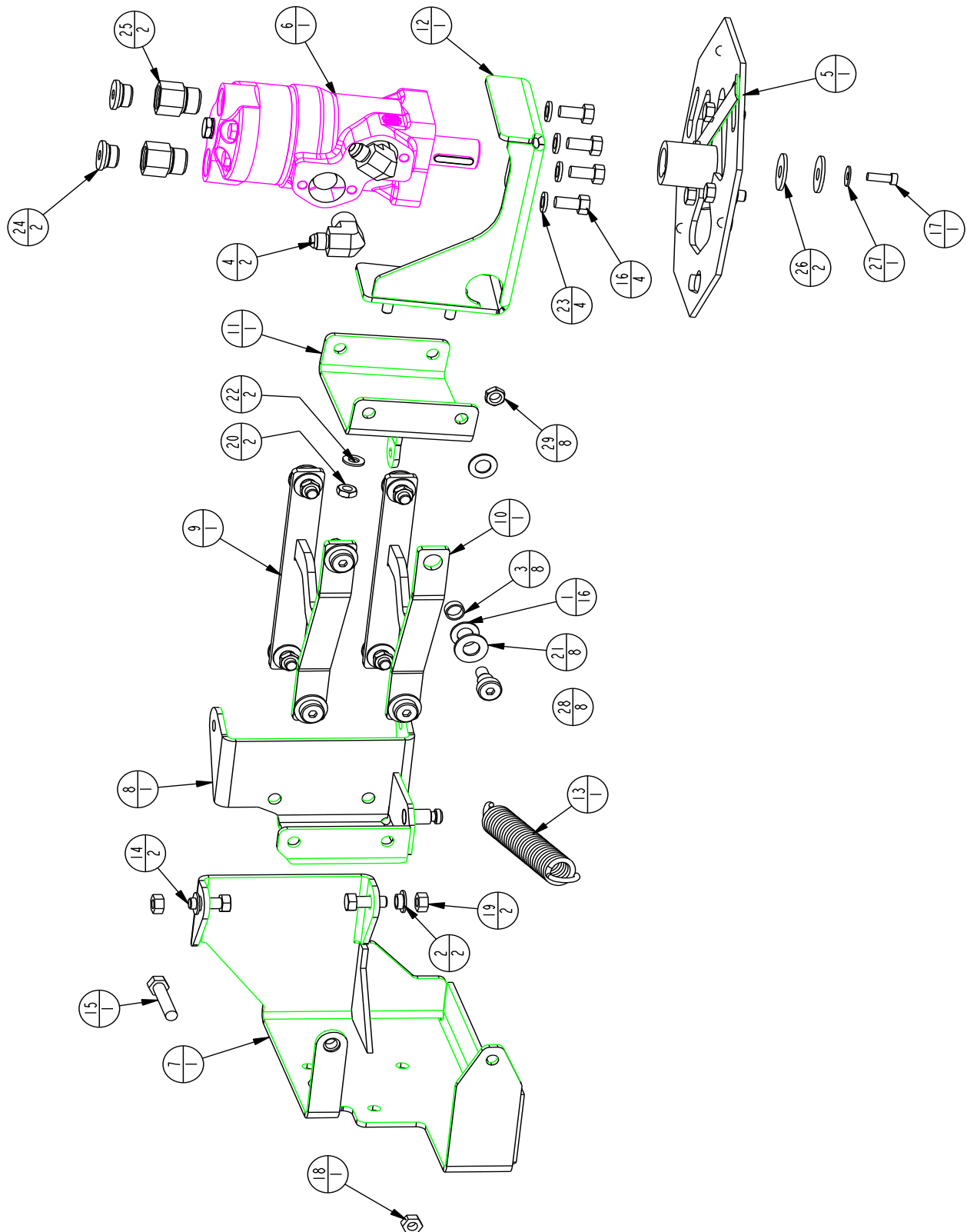
Side Broom, Left Hand Assembly - 3342844, Revision A



Side Broom, Left Hand Assembly - 3342844, Revision A

ITEM	PART NO.	REQ'D	DESCRIPTION
1	711592	16	WSR-FLAT .50 X .9 X .075 NYL
2	3300414	2	BUSHING-FLNG 3/8 NYLON
3	3300431	8	BUSHING-.499 ID X .594 OD (X.250
4	3306223	2	FTG-90 EL 1/2MP X 6JIC
5	3332426	1	FTG-C5506X6 SWNLE 90 DEG#6
6	3339019	1	ASSY-BROOM DRIVE PLATE LH
7	3341147	1	MOTOR-HYD 11.8 CIR SIDE BROOM 5550
8	3342835	1	WELD-SIDE BROOM UPPER ARM
9	3342836	1	WELD-SIDE BROOM LOWER ARM
10	3342838	1	WELD-SIDE BROOM MNT LH
11	3342839	1	WELD-SIDE BROOM PIVOT LH
12	3342840	1	WELD-SIDE BROOM ADJUST LH
13	3342841	1	WELD-SIDE BROOM MOUNT LH
14	3343304	1	SPRING, .1625X1.03X6.5X142LB, COMP.
15	3400030	2	SCREW-HHM 3/8-16 X 1.0 LG ZP
16	3400031	1	SCR-HEX 3/8 -16X2.00 ZP
17	3400032	4	SCR-HEX 3/8-16X.75 ZP
18	3400049	1	SCR=SOC 1/4-20 X .75 ZP
19	3400068	1	NUT-HEX 3/8-16 ZP
20	3400079	2	NUT-HEX 3/8-16 ES ZP
21	3400080	2	NUT-HEX 5/16-18 ES ZP
22	3400086	8	WASHER-FLAT 1/2 STANDARD ZP
23	3400088	2	WASHER 5/16 ID .688 OD X .065 THK
24	3400101	4	WASHER-LOCK 3/8 SPLIT ZP
25	3400164	2	FTG-PLUG 3/4-16 O-RING
26	3400166	2	FTG-ADAPTER 7/8-14 EXT X 3/4-16
27	3400278	2	WASHER-FENDER 3/8 ZP
28	3400383	1	WASHER CONICAL SPRING 1/4
29	3400720	8	SCR-HSS 1/2 DIA X .50 BLK OX
30	3401053	8	NUT-HEX, JAM, 3/8-16, NYLON, ZP, SS

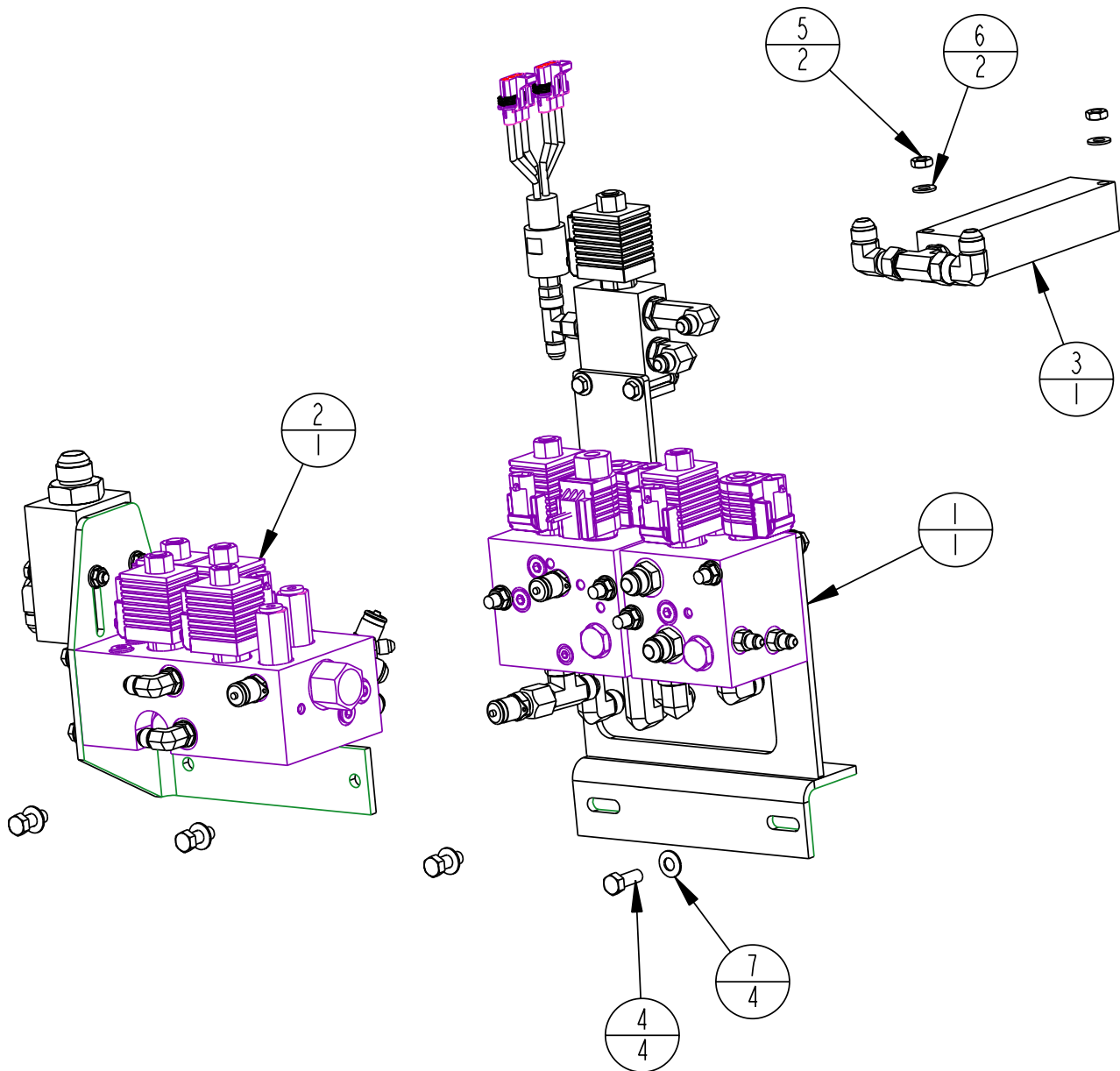
Side Broom, Right Hand Assembly - 3342843, Revision A



Side Broom, Right Hand Assembly - 3342843, Revision A

ITEM	PART NO.	REQ'D	DESCRIPTION
1	260211	1	HOBBY SPRING
2	711592	16	WSR-FLAT .50 X .9 X .075 NYL
3	3300414	2	BUSHING-FLNG 3/8 NYLON
4	3300431	8	BUSHING-.499 ID X .594 OD (X.250
5	3301262	1	PLT-GIMBLE SCRUB BRUSH PNTD
6	3302058	1	BAR-BRUSH RETAINER
7	3306223	2	FTG-90 EL 1/2MP X 6JIC
8	3313212	1	SW-62 GAS/DSL PNTD. ASSY-GIMBLE PLT SIDE BRM
9	3341147	1	MOTOR-HYD 11.8 CIR SIDE BROOM 5550
10	3342833	1	WELD-SIDE BROOM MNT RH
11	3342834	1	WELD-SIDE BROOM PIVOT RH
12	3342835	1	WELD-SIDE BROOM UPPER ARM
13	3342836	1	WELD-SIDE BROOM LOWER ARM
14	3342837	1	WELD-SIDE BROOM ADJUST RH
15	3342842	1	WELD-SIDE BROOM MNT RH
16	3400030	8	SCREW-HHM 3/8-16 X 1.0 LG ZP
17	3400031	1	SCR-HEX 3/8 -16X2.00 ZP
18	3400032	4	SCR-HEX 3/8-16X.75 ZP
19	3400042	2	SCR-HEX 1/4-20X.75 ZP
20	3400049	1	SCR=SOC 1/4-20 X .75 ZP
21	3400068	1	NUT-HEX 3/8-16 ZP
22	3400079	5	NUT-HEX 3/8-16 ES ZP
23	3400080	2	NUT-HEX 5/16-18 ES ZP
24	3400081	2	NUT-HEX 1/4-20 ES ZP
25	3400086	8	WASHER-FLAT 1/2 STANDARD ZP
26	3400088	2	WASHER 5/16 ID .688 OD X .065 THK
27	3400101	4	WASHER-LOCK 3/8 SPLIT ZP
28	3400164	2	FTG-PLUG 3/4-16 O-RING
29	3400166	2	FTG-ADAPTER 7/8-14 EXT X 3/4-16
30	3400278	2	WASHER-FENDER 3/8 ZP
31	3400383	1	WASHER CONICAL SPRING 1/4
32	3400392	3	NUT-FLANGE LOCK 3/8-16
33	3400720	8	SCR-HSS 1/2 DIA X .50 BLK OX
34	3401053	8	NUT-HEX, JAM, 3/8-16, NYLON, ZP, SS

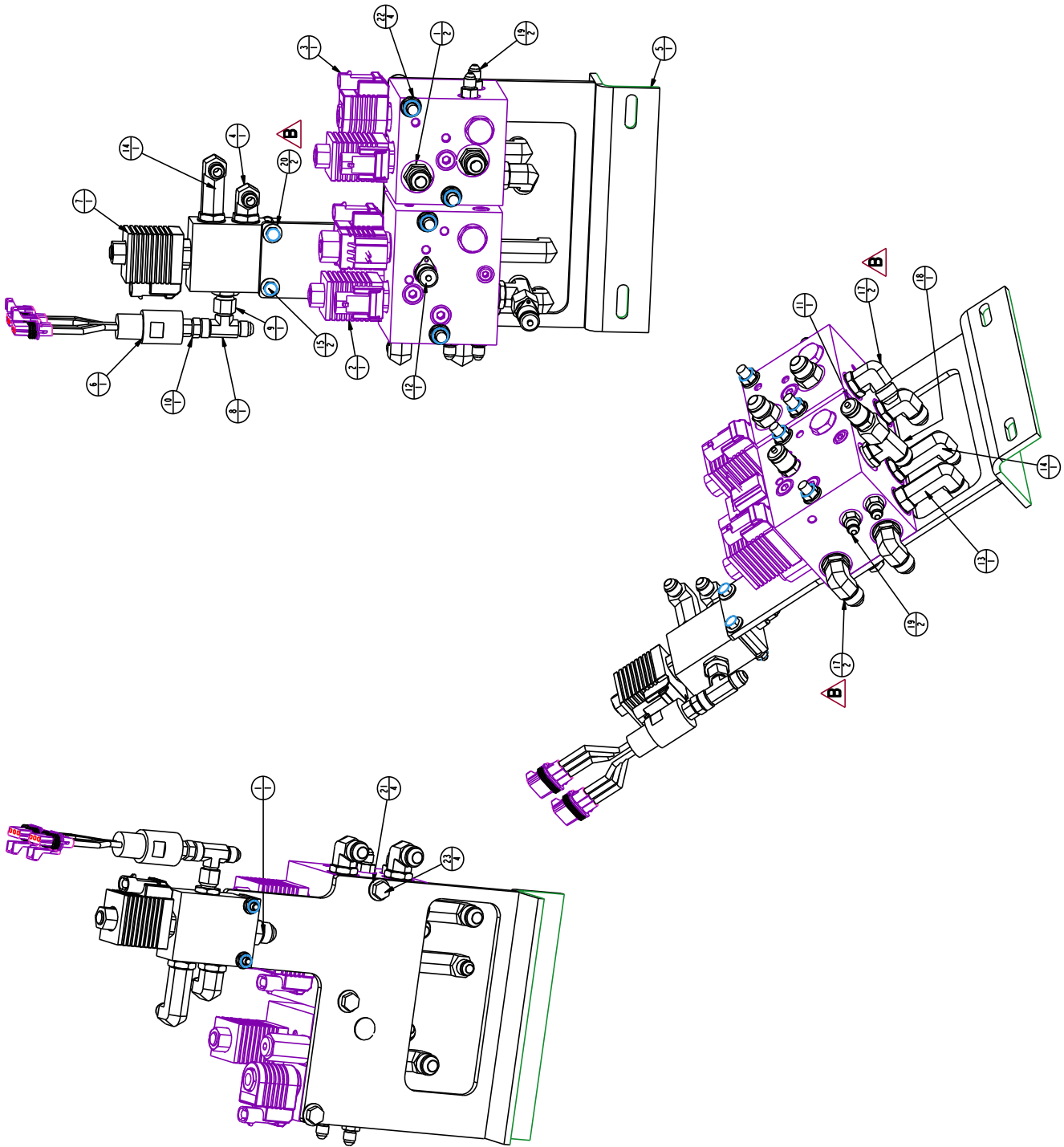
Hydraulic Valve Group - 3342966, Revision *



Hydraulic Valve Group - 3342966, Revision *

ITEM	PART NO.	REQ'D	DESCRIPTION
1	3341693	1	SUB-MANIFOLD BLOCK LH 5550
2	3341694	1	SUB-MANIFOLD BLOCK RH 5550
3	3341695	1	ASSY-MANIFOLD CASE DRAIN
4	3400030	4	SCREW-HHM 3/8-16 X 1.0 LG ZP
5	3400080	2	NUT-HEX 5/16-18 ES ZP
6	3400088	2	WASHER 5/16 ID .688 OD X .065 THK
7	3400385	4	WASHER CONICAL SPRING 3/8

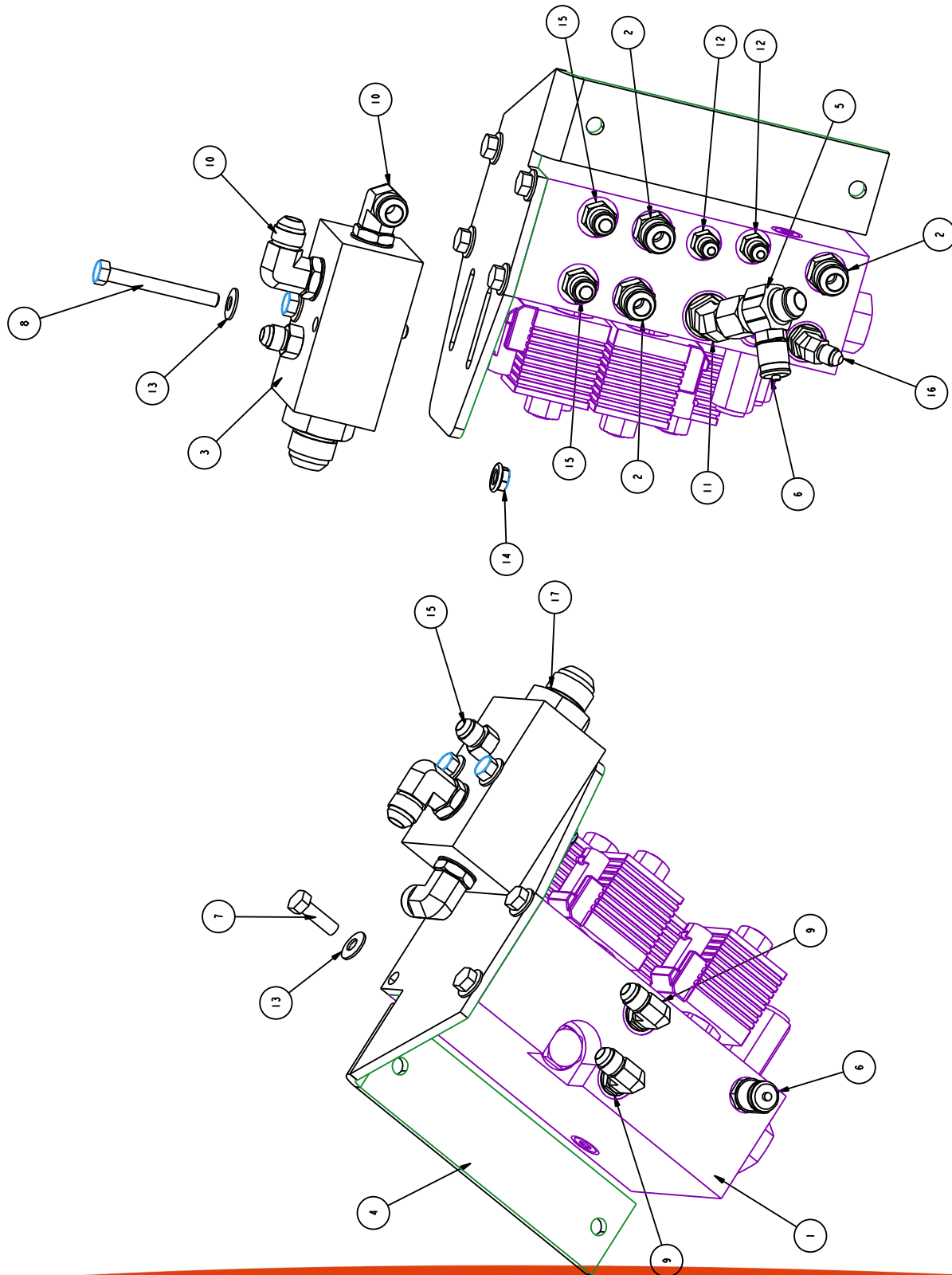
Manifold Block, Left Hand Assembly - 3341693, Revision C



Manifold Block, Left Hand Assembly - 3341693, Revision C

ITEM	PART NO.	REQ'D	DESCRIPTION
1	3304899	3	FTG-STR CONN 3/4-16 TO #8
2	3321435	1	VALVE-MANIFOLD 5550 SCRUB
3	3321436	1	VALVE-MANIFOLD 5550 SQUEEGEE
4	3341130	1	FTG-90 6MJIC X 8MORB
5	3341632	1	WELDMENT HYD MANIFOLD MNT 2
6	3342043	1	SWITCH_PRESSURE DUMP DOOR
7	3342072	1	VALVE-HOPPER DOOR
8	3342089	1	FTG-TEE 6JIC X 4FP
9	3342090	1	FTG-6JIC SWIVEL X 8MORB
10	3342091	1	FTG-BUSHING 4MP X 2FP
11	3342203	1	COUPLING-TEST 8FJIC SWIVEL
12	3342205	1	COUPLING-TEST 4MORB
13	3342828	1	FTG-90 EL LONG 3/4-16 MORB X -8JIC
14	3342829	2	FTG-90 LONG 6MJIC X 8MORB
15	3400039	2	SCR-HEX, 1/4-20X2.00 ZP
16	3400063	2	NUT-FLANGE LOCK 1/4-20 ZP
17	3400154	4	FTG-90 EL 3/4-16 MORB X -8JIC
18	3400161	1	FTG-TEE 3/4-16 MORB X -8JIC
19	3400212	4	FTG-4MORB X 4JIC
20	3400383	2	WASHER CONICAL SPRING 1/4
21	3400385	4	WASHER CONICAL SPRING 3/8
22	3400392	4	NUT-FLANGE LOCK 3/8-16
23	3402075	4	SCR-HEX 3/8-16 X 4.50 ZP

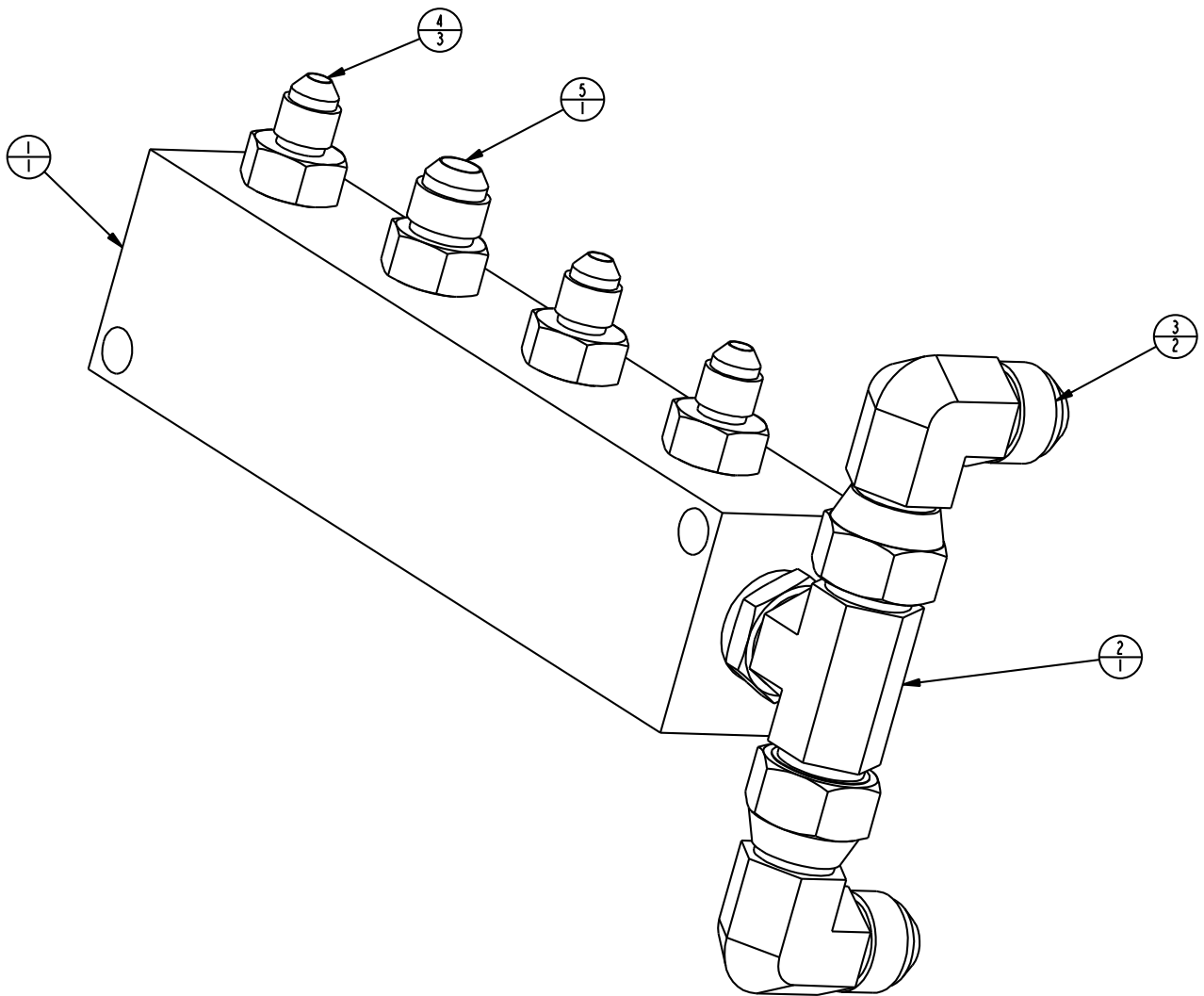
Manifold Block, Right Hand Assembly - 3341694, Revision B



Manifold Block, Right Hand Assembly - 3341694, Revision B

ITEM	PART NO.	REQ'D	DESCRIPTION
1	3321434	1	VALVE-MANIFOLD 5550 SWEEP
2	3341125	3	FTG-STR CONN 9/16-18 TO #8
3	3341313	1	MANIFOLD-HYD RETURN LINE
4	3341635	1	PLT-HYD MANIFOLD MOUNT2
5	3342204	1	FTG-GAUGE PORT -8 JIC
6	3342205	2	COUPLING-TEST 4MORB
7	3400035	4	SCR-HEX 5/16-18X1.00 ZP
8	3400037	2	SCREW-HHM 5/16-18 X 2.75 LG ZP
9	3400153	2	FTG-90 6MJIC X 6MORB
10	3400154	2	FTG-90 EL 3/4-16 MORB X -8JIC
11	3400157	1	FTG-45 3/4-16 TO #8
12	3400212	2	FTG-4MORB X 4JIC
13	3400384	6	WASHER CONICAL SPRING 5/16
14	3400390	2	NUT-FLANGE LOCK 5/16-18
15	3400635	3	FTG-STR 6MJIC 6MOR
16	3401050	1	FTG-45 DEG 9/16-18 TO #4
17	3402003	1	FTG-ADAPTER STRAIGHT 12MJIC X 16MORB

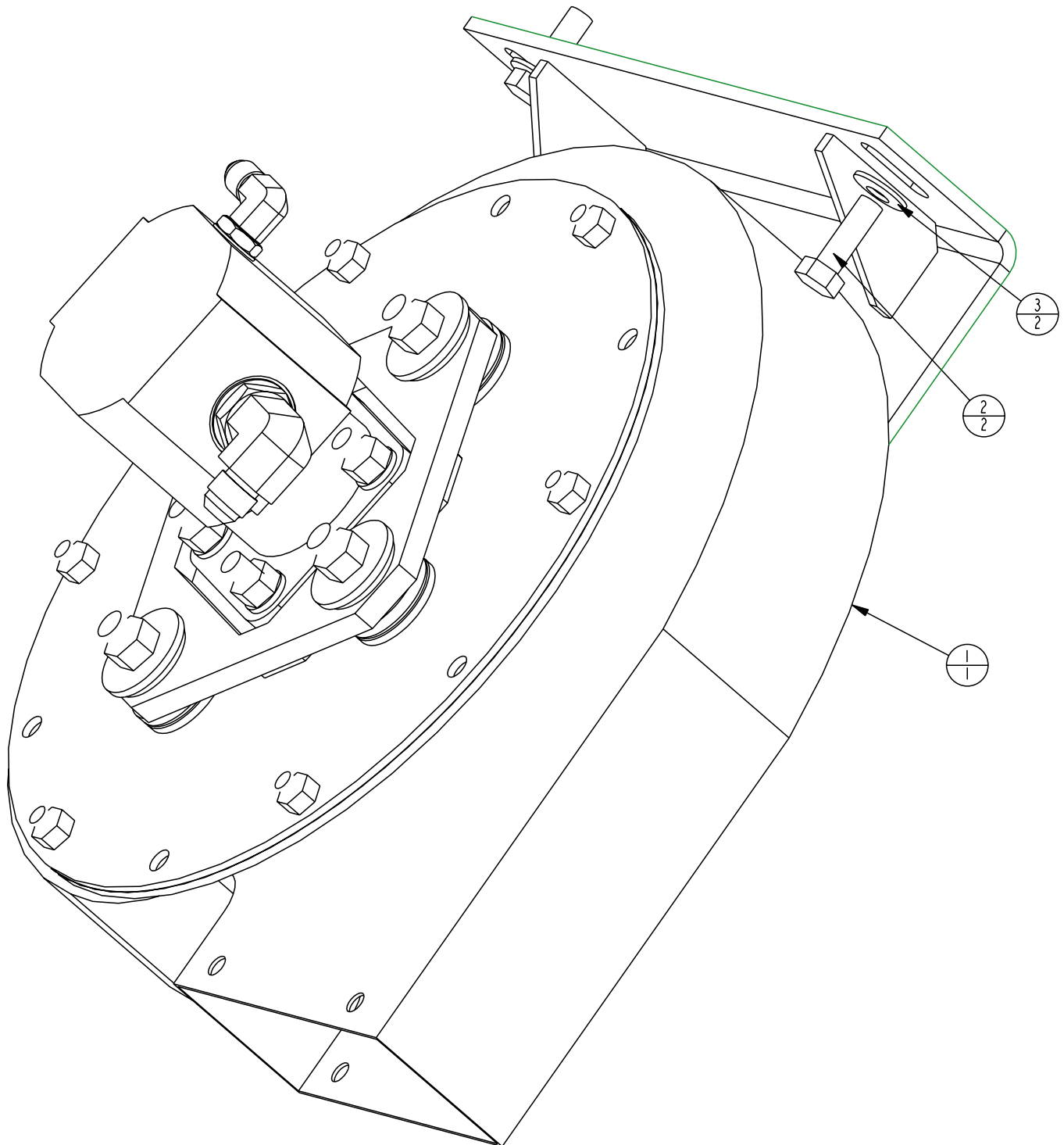
Manifold Case Drain Assembly - 3341695, Revision *



Manifold Case Drain Assembly - 3341695, Revision *

ITEM	PART NO.	REQ'D	DESCRIPTION
1	3341314	1	MANIFOLD-HYD CASE DRAIN
2	3400161	1	FTG-TEE 3/4-16 MORB X -8JIC
3	3400244	2	FTG-90 SWIVEL 8JIC
4	3400264	3	FTG-STR 4MJIC X 6MORB
5	3400635	1	FTG-STR 6MJIC 6MOR

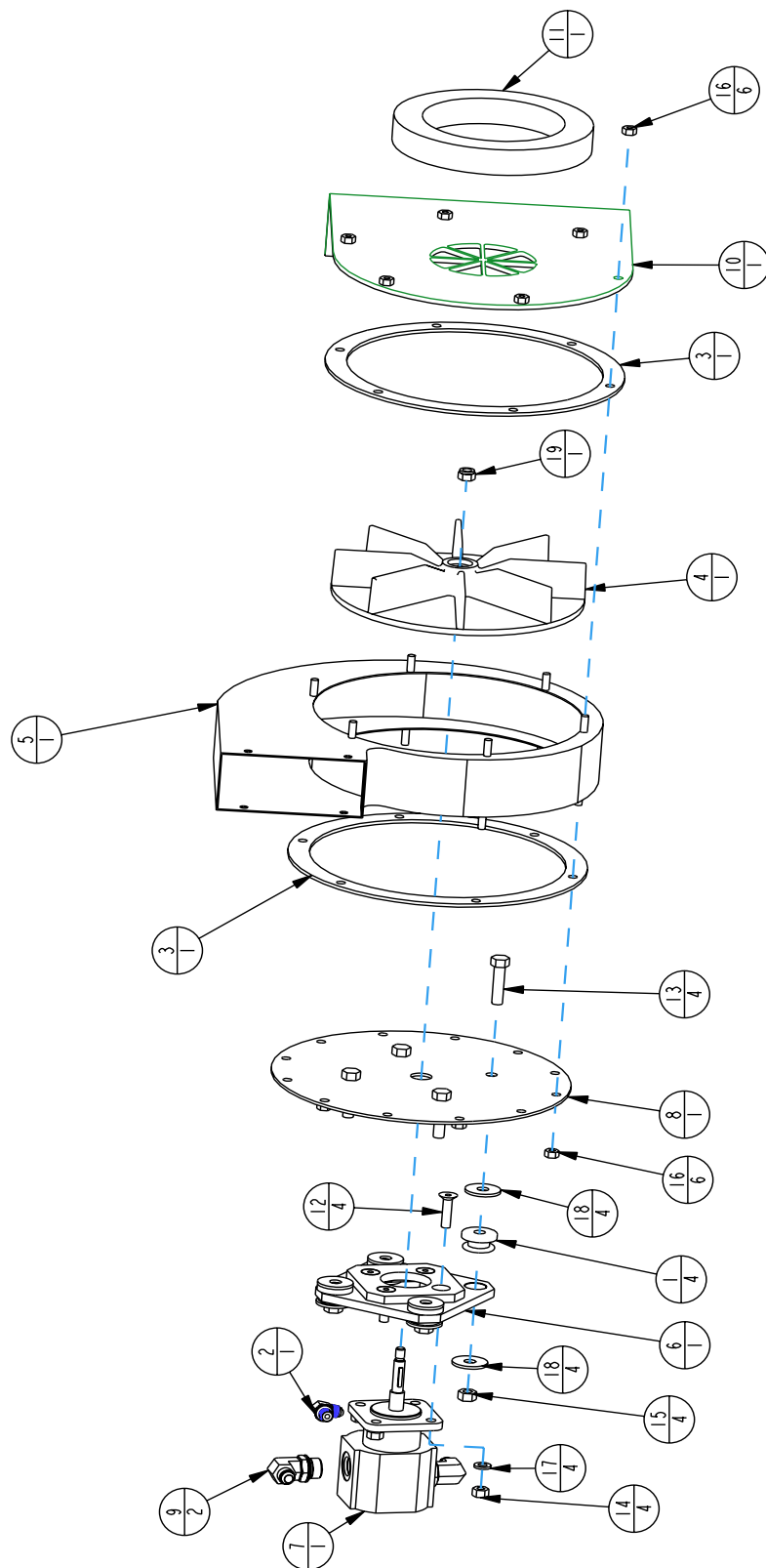
Impeller, Dust Control Group - 3342651, Revision *



Impeller, Dust Control Group - 3342651, Revision *

ITEM	PART NO.	REQ'D	DESCRIPTION
1	3341659	1	SUB-IMPELLER DUST CTRL
2	3400035	2	SCR-HEX 5/16-18X1.00 ZP
3	3400384	2	WASHER CONICAL SPRING 5/16

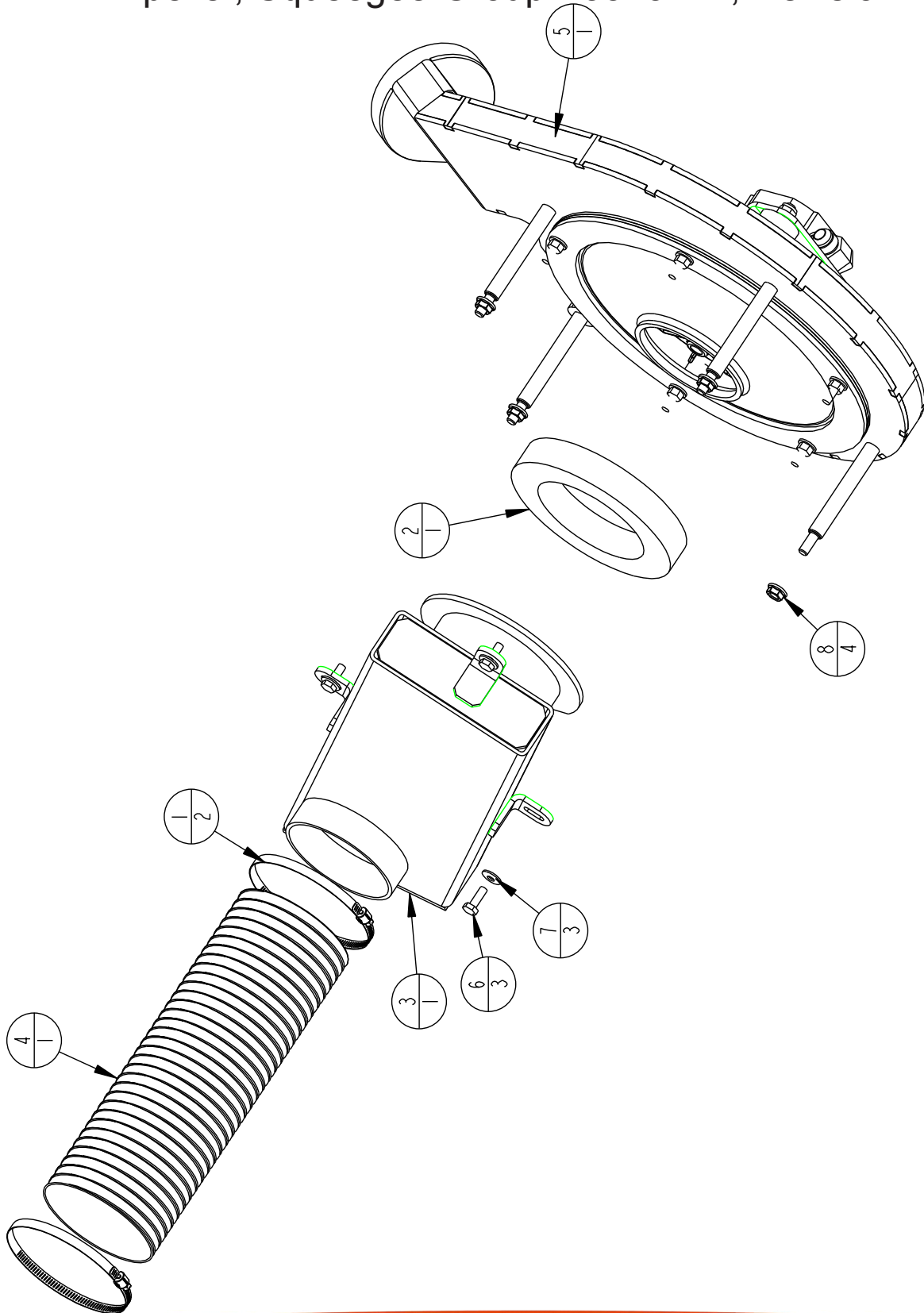
Impeller, Dust Control Assembly - 3341659, Revision A



Impeller, Dust Control Assembly - 3341659, Revision A

ITEM	PART NO.	REQ'D	DESCRIPTION
1	3300465	4	MOUNT-ISO IMP MNT
2	3302407	1	FTG-90 EL 4MORB X 4MJIC
3	3304183	2	GASKET-IMPELLER
4	3307003	1	BLADE-IMPELLER
5	3307004	1	SHROUD-IMPELLER
6	3307152	1	WELD-MOTOR MNT IMP
7	3316832	1	MOTOR-HYD IMP 0.323 CIR
8	3322121	1	MNT-IMPELLER MOTOR
9	3341130	2	FTG-90 6MJIC X 8MORB
10	3341509	1	WELD-IMP BRKT
11	3343141	1	GASKET-PORON, DUST IMPELLER
12	3400016	4	SCREW-FLAT HEAD 5/16-18 X 1.25, SOC ZP
13	3400028	4	SCR-HEX 3/8 -16X1.50 ZP
14	3400070	4	NUT, HEX 5/16-18 ZP
15	3400079	4	NUT-HEX 3/8-16 ES ZP
16	3400081	12	NUT-HEX 1/4-20 ES ZP
17	3400102	4	WASHER-LOCK 5/16 SPLIT ZP
18	3400278	8	WASHER-FENDER 3/8 ZP
19	3400420	1	NUT-HEX NYLOC 5/16-24

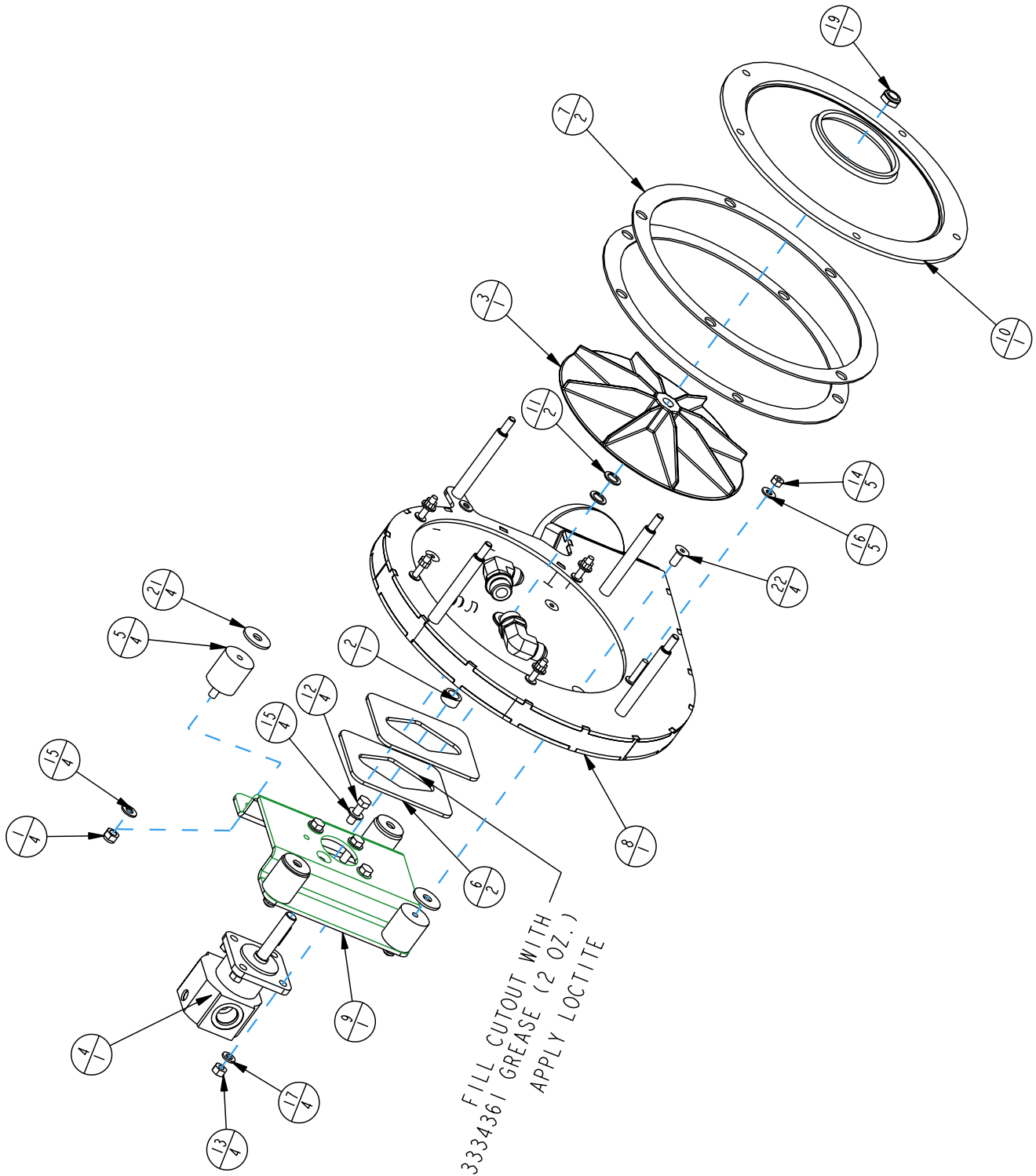
Impeller, Squeegee Group - 3343242, Revision A



Impeller, Squeegee Group - 3343242, Revision A

ITEM	PART NO.	REQ'D	DESCRIPTION
1	3300351	2	HOSE CLAMP 4 1/2
2	3307005	1	IMPELLER GASKET
3	3341513	1	WELD-AIR PLENUM
4	3341520	1	HOSE, IMPELLER
5	3342662	1	IMPELLER ASSY-SQUEEGEE
6	3400042	3	SCR-HEX 1/4-20X.75 ZP
7	3400383	3	WASHER CONICAL SPRING 1/4
8	3400390	4	NUT-FLANGE LOCK 5/16-18

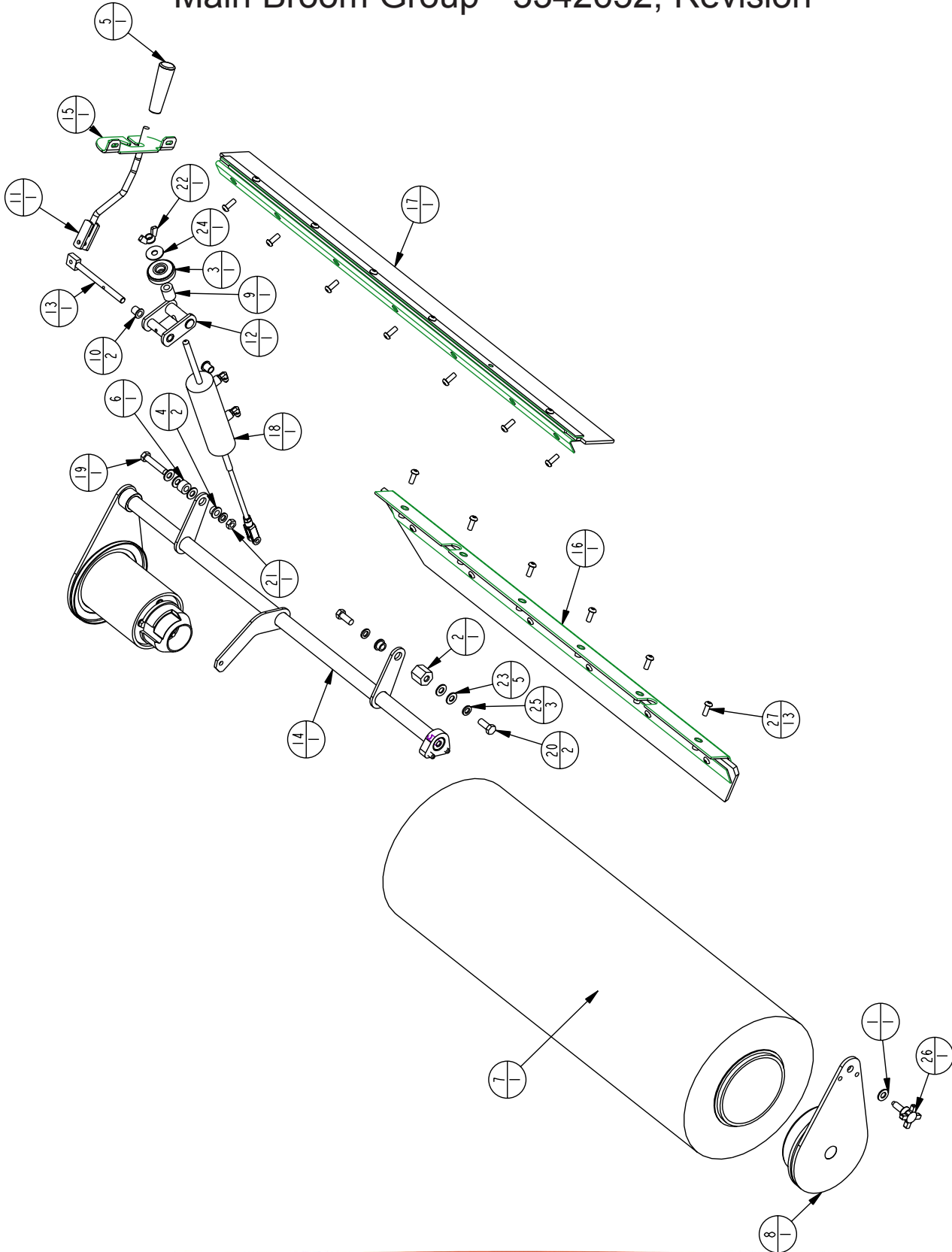
Impeller, Squeegee Assembly - 3342662, Revision A



Impeller, Squeegee Assembly - 3342662, Revision A

ITEM	PART NO.	REQ'D	DESCRIPTION
1	711374	4	NUT-NYLOC 5/16-18
2	3306827	1	SPACER-HYD IMPELLER
3	3341155	1	BLADE-IMPELLER 5550
4	3342510	1	MOTOR-HYD IMP 0.162 CIR
5	3342539	4	ISOLATOR-IMP MNT
6	3342543	2	GASKET-MOTOR MOUNT
7	3342723	2	GASKET-IMPELLER TOP
8	3342727	1	WELD-IMPELLER HSG
9	3342728	1	MOUNT-IMP MOTOR
10	3342749	1	WELD-IMPELLER TOP
11	3342941	2	SHIM-ARBOR, .75 OD X .50 ID X .062 THK
12	3400035	4	SCR-HEX 5/16-18X1.00 ZP
13	3400070	4	NUT, HEX 5/16-18 ZP
14	3400081	5	NUT-HEX 1/4-20 ES ZP
15	3400088	8	WASHER 5/16 ID .688 OD X .065 THK
16	3400089	5	WASHER 1/4 ID .63 OD X .065 THK
17	3400102	4	WASHER-LOCK 5/16 SPLIT ZP
18	3400155	2	FTG-90 EL 8JIC X 10MORB
19	3400188	1	NUT-JAM 1/2-20 NYLOC ZP
20	3400212	1	FTG-4MORB X 4JIC
21	3400278	4	WASHER-FENDER 3/8 ZP
22	3400297	4	SCREW-FLAT HEAD 5/16-18 X 3/4, SOC ZP

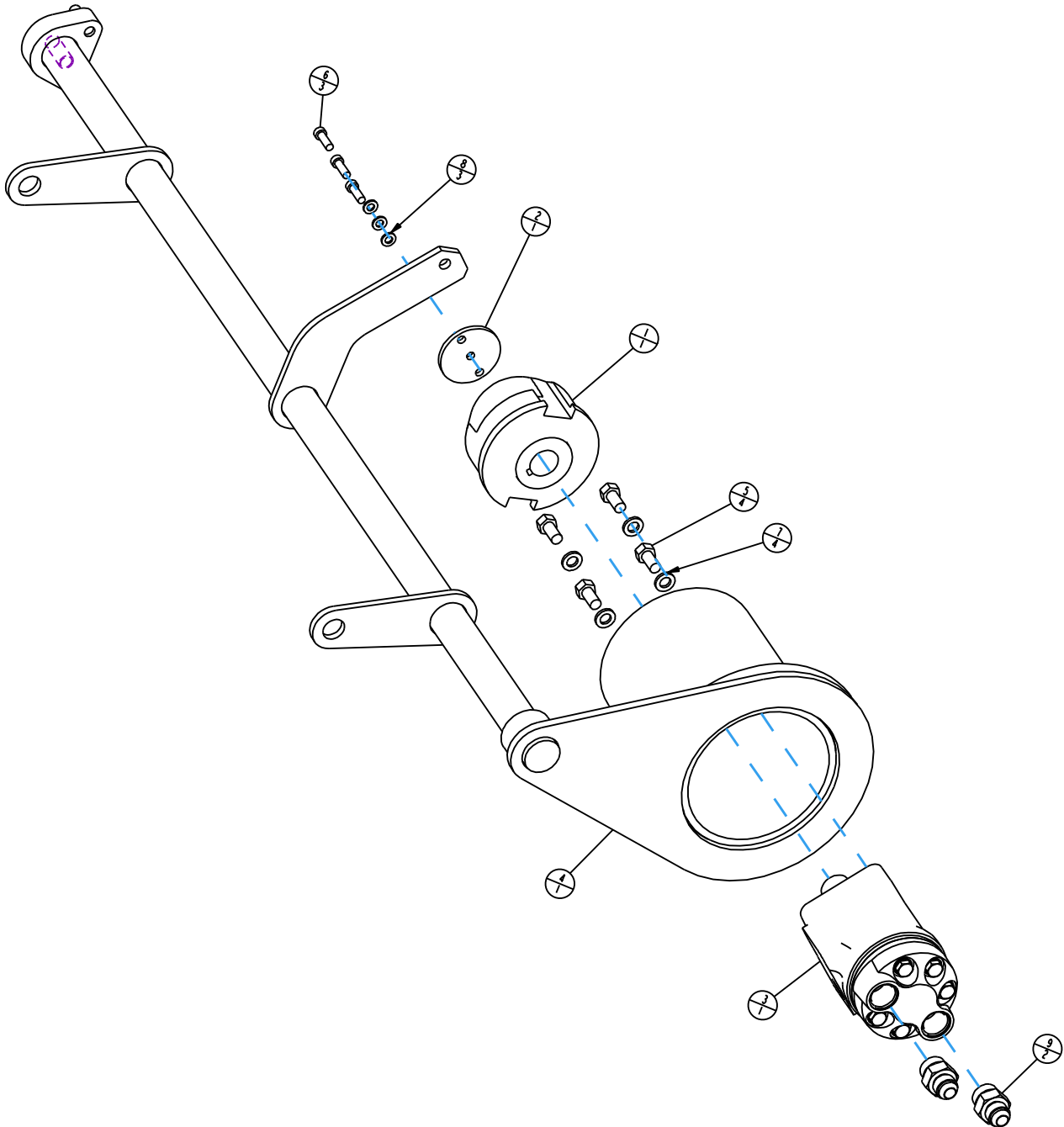
Main Broom Group - 3342652, Revision *



Main Broom Group - 3342652, Revision *

ITEM	PART NO.	REQ'D	DESCRIPTION
1	711509	1	WSR-FLAT 1/2 (.54X1.082X.087)
2	3300064	1	BLOCK-ADJUSTMENT FINISH BROOM
3	3300352	1	KNOB-MAIN BROOM LIFT ADJ
4	3300432	2	BUSHING-BRONZE FLANGED 1/2" ID
5	3300558	1	KNOB-TAPERED #145 BLACK
6	3301440	1	SPACER-MAIN BROOM PLTD
7	3305662	1	BROOM-42" PROEX & WIRE
8	3305833	1	ASSY-BROOM IDLER SUB
9	3307181	1	SPACER-MAIN BROOMPLTD
10	3308376	2	BUSHING-FLG 1/2 X 5/8 X 3/4
11	3341473	1	WELD-MB FLOAT ARM
12	3341474	1	WELD-MB YOKE
13	3341476	1	WELD-MB YOKE PIN
14	3341654	1	SUB-5550 MB
15	3342505	1	RET-MB FLOAT ARM
16	3343077	1	SEAL, MAIN BROOM
17	3343078	1	SEAL, MAINBROOM
18	3343157	1	BROOM LIFT CYLINDER ASSEMBLY
19	3400019	1	SCR-HEX 1/2-13 X 2.50 ZP
20	3400022	2	SCR-HEX 1/2-13 X 1.25 ZP
21	3400065	1	NUT-HEX 1/2-13 ZP
22	3400084	1	NUT-WING 1/2-13 ZP
23	3400086	5	WASHER-FLAT 1/2 STANDARD ZP
24	3400091	1	WASHER-FENDER 1/2 ZP
25	3400098	3	WASHER-LOCK 1/2 SPLIT ZP
26	3400748	1	KNOB-HAND 1/2-13 X 1.5
27	3400790	13	SCREW BH 3/8-16 X 1.0 LG

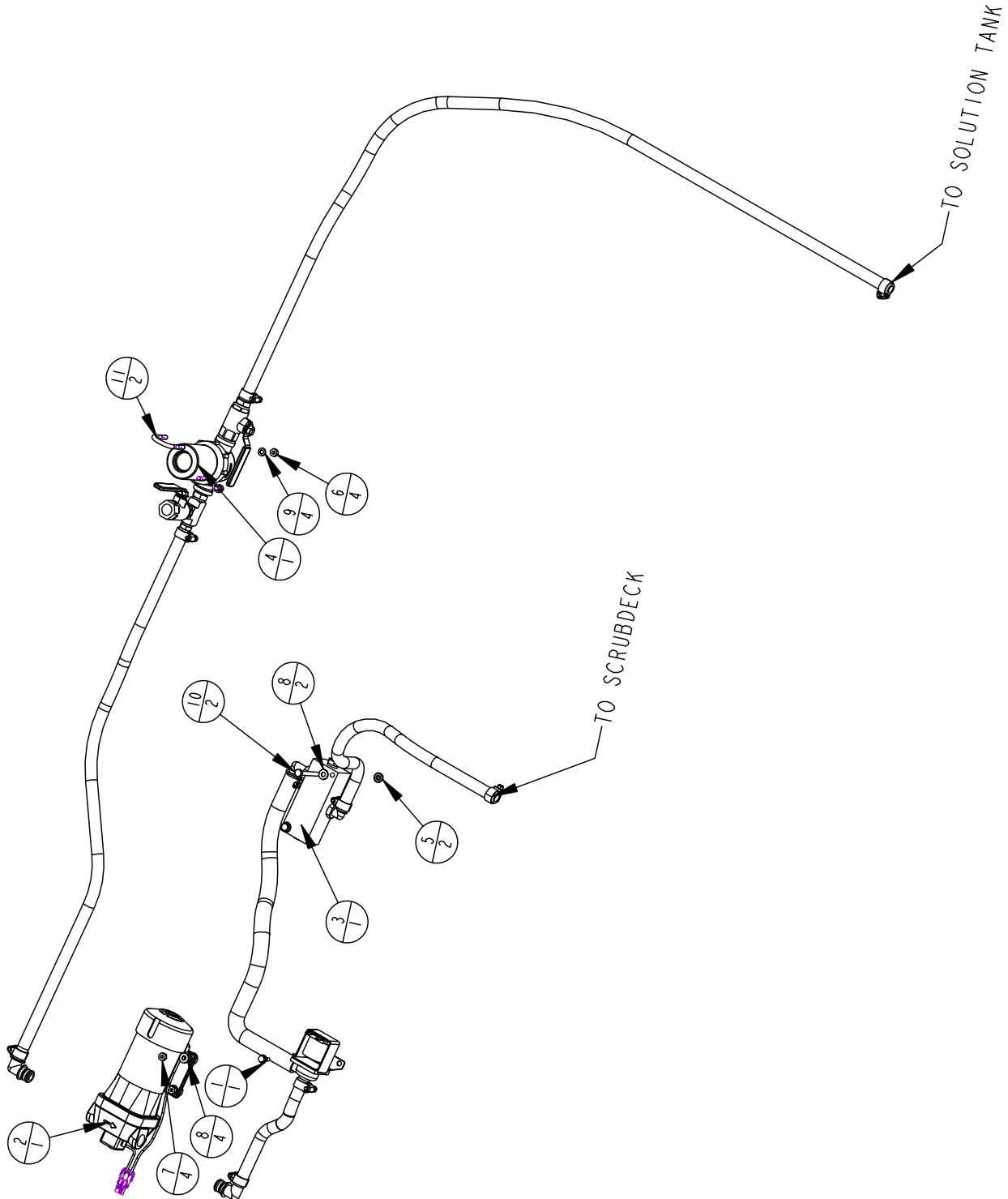
Main Broom Assembly - 3341654, Revision B



Main Broom Assembly - 3341654, Revision B

ITEM	PART NO.	REQ'D	DESCRIPTION
1	3301050	1	HUB-MAIN BROOM-DRIVE PNTD
2	3301285	1	RETAINER-DRIVE HUB FIN
3	3341152	1	MOTOR-HYD 3.0 CIR MB 5550
4	3341479	1	WELD-MAIN BROOM MNT
5	3400032	4	SCR-HEX 3/8-16X.75 ZP
6	3400049	3	SCR=SOC 1/4-20 X .75 ZP
7	3400101	4	WASHER-LOCK 3/8 SPLIT ZP
8	3400103	3	WASHER-LOCK 1/4 SPLIT ZP
9	3400151	2	FTG-7/8-14 STOR TO 3/4-16 JIC 37 DEG

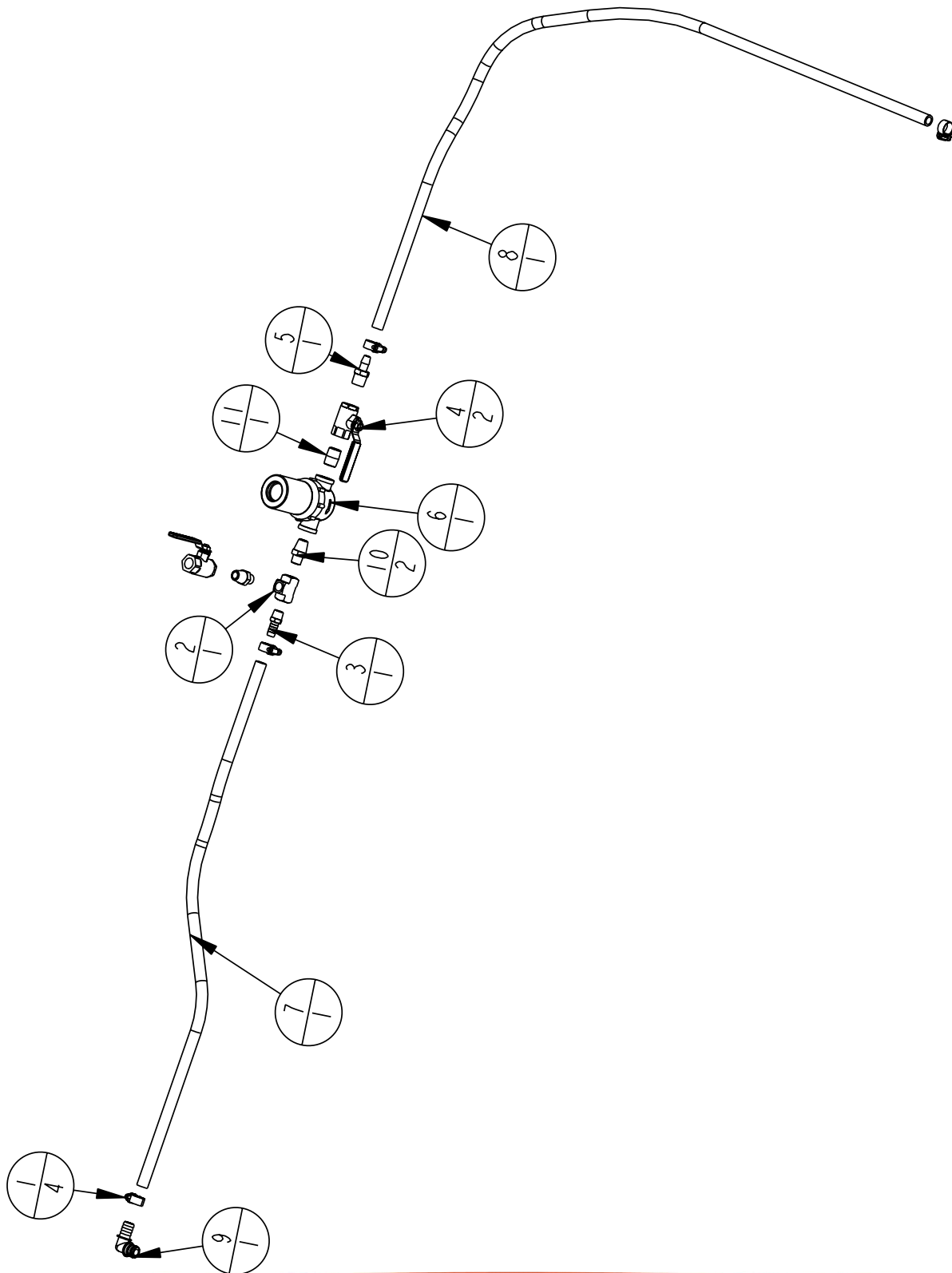
Main Plumbing Group - 3343156, Revision *



Main Plumbing Group - 3343156, Revision *

ITEM	PART NO.	REQ'D	DESCRIPTION
1	3311374	1	SCR-HEX 1/4-14 X .75 LG SELF TAP
2	3342895	1	SUB-FLOJET 12 V PUMP W/PACKARD
3	3343154	1	SUB-SOLUTION VALVE/MANIFOLD
4	3343155	1	SUB-SOLUTION FILTER/ BALL VALV
5	3400063	2	NUT-FLANGE LOCK 1/4-20 ZP
6	3400071	4	NUT-HEX 1/4-20 ZP
7	3400081	4	NUT-HEX 1/4-20 ES ZP
8	3400089	6	WASHER 1/4 ID .63 OD X .065 THK
9	3400103	4	WASHER-LOCK 1/4 SPLIT ZP
10	3400433	2	SCR-HEX 1/4-20X2.50 ZP
11	3401981	2	U-BOLT 1/4-20

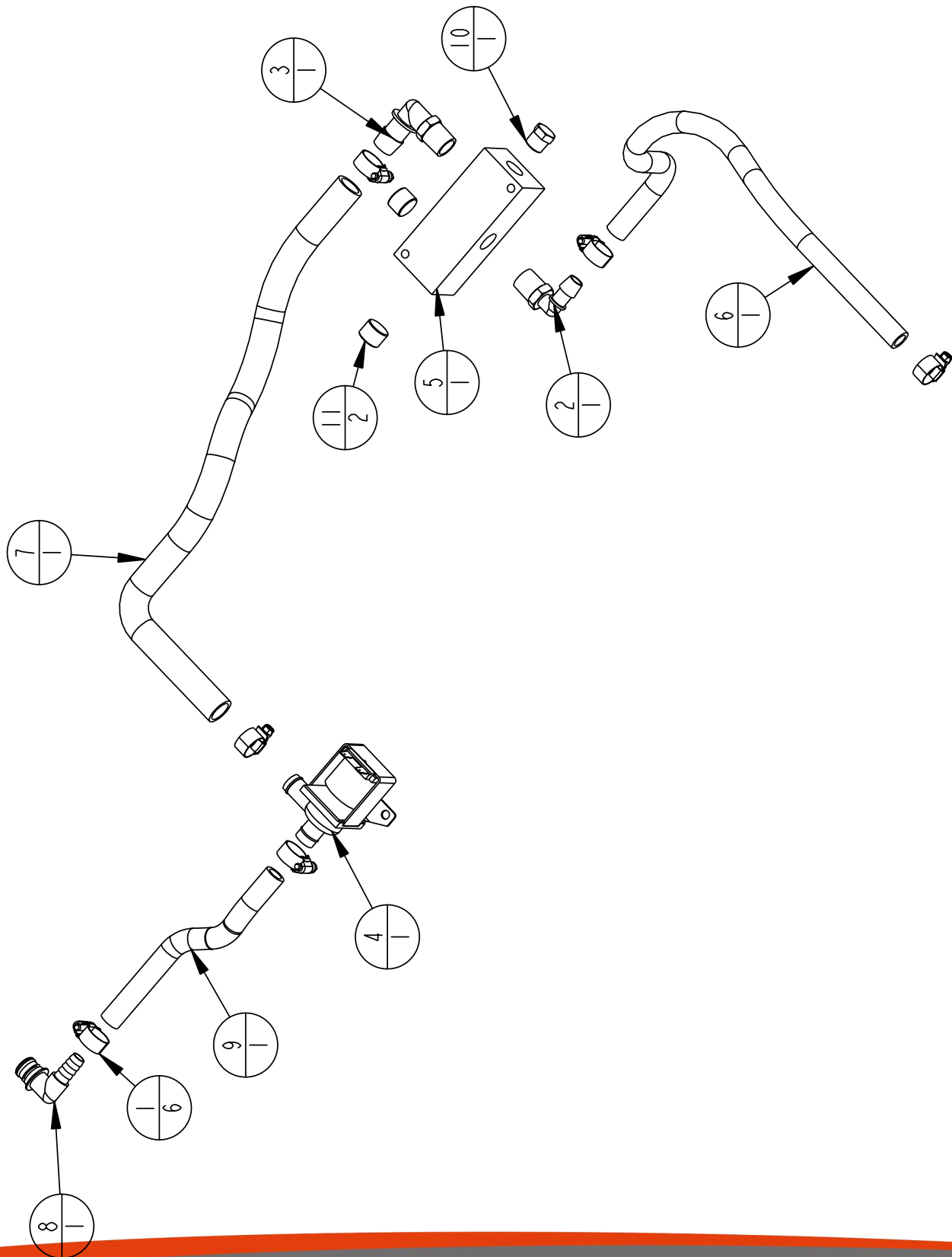
Solution Filter Assembly - 3343155, Revision *



Solution Filter Assembly - 3343155, Revision *

ITEM	PART NO.	REQ'D	DESCRIPTION
1	3302144	4	CLAMP-HOSE 1/2
2	3303303	1	FTG-TEE 3/8 FPT
3	3307829	1	FTG-HOSE BARB 1/2 X 3/8 MPT
4	3313199	2	VALVE-BALL 1/2 FPT BRASS
5	3315534	1	FTG-1/2 ID X 1/2 MPT
6	3323501	1	FILTER-40 MESH INLINE
7	3341604	1	HOSE-PLUMBING PRE PUMP
8	3341605	1	HOSE-PLUMBING PRE FILTER
9	3343153	1	FTG-3/4 90 HOSE BARB ORING FTG
10	3383329	2	FITTING-1/2MPT 3/8MPT BRASS
11	3383465	1	FITTING BRASS NIPPLE 1/2MPT

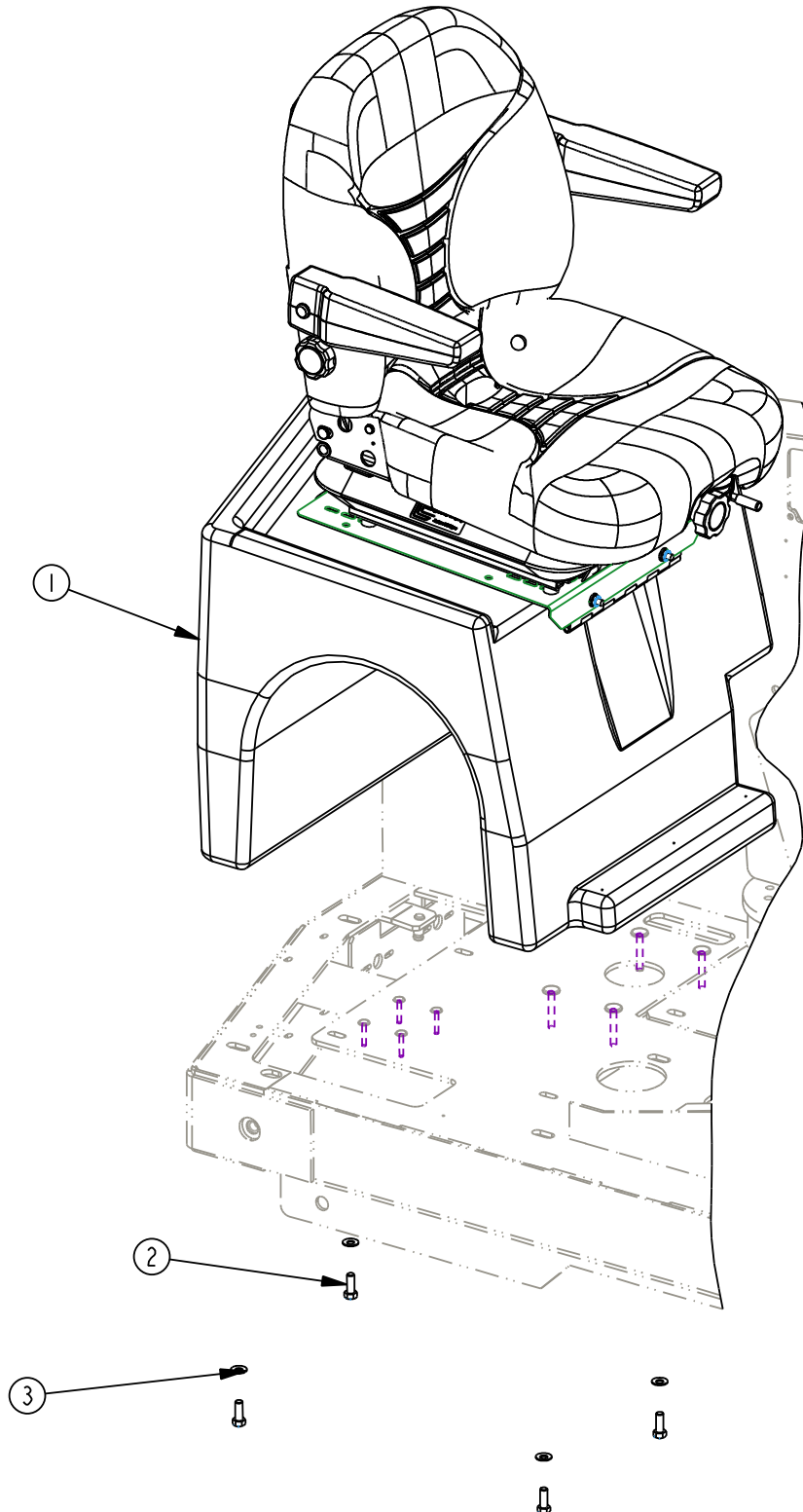
Solution Valve Assembly - 3343154, Revision *



Solution Valve Assembly - 3343154, Revision *

ITEM	PART NO.	REQ'D	DESCRIPTION
1	3302144	6	CLAMP-HOSE 1/2
2	3315535	1	FTG-90 DEG 1/2 ID X 1/2 MPT
3	3315536	1	FTG-90 DEG 1/2 ID X 1/2 MPT
4	3322671	1	VALVE-SOL SHUTOFF SOLENOID 12V
5	3341108	1	MANIFOLD-PLUMBING
6	3341602	1	HOSE-PLUMBING POST MANIFOLD
7	3341603	1	HOSE-PLUMBING POST PUMP
8	3342083	1	FTG-1/2 90 HOSE BARB ORING FTG
9	3342088	1	HOSE-SOLENOID TO PUMP FTGS.
10	3400194	1	FTG-PIPE PLUG 3/8 MPT HEX
11	3400217	2	FTG-PIPE PLUG HEX SOC 1/2 MPT

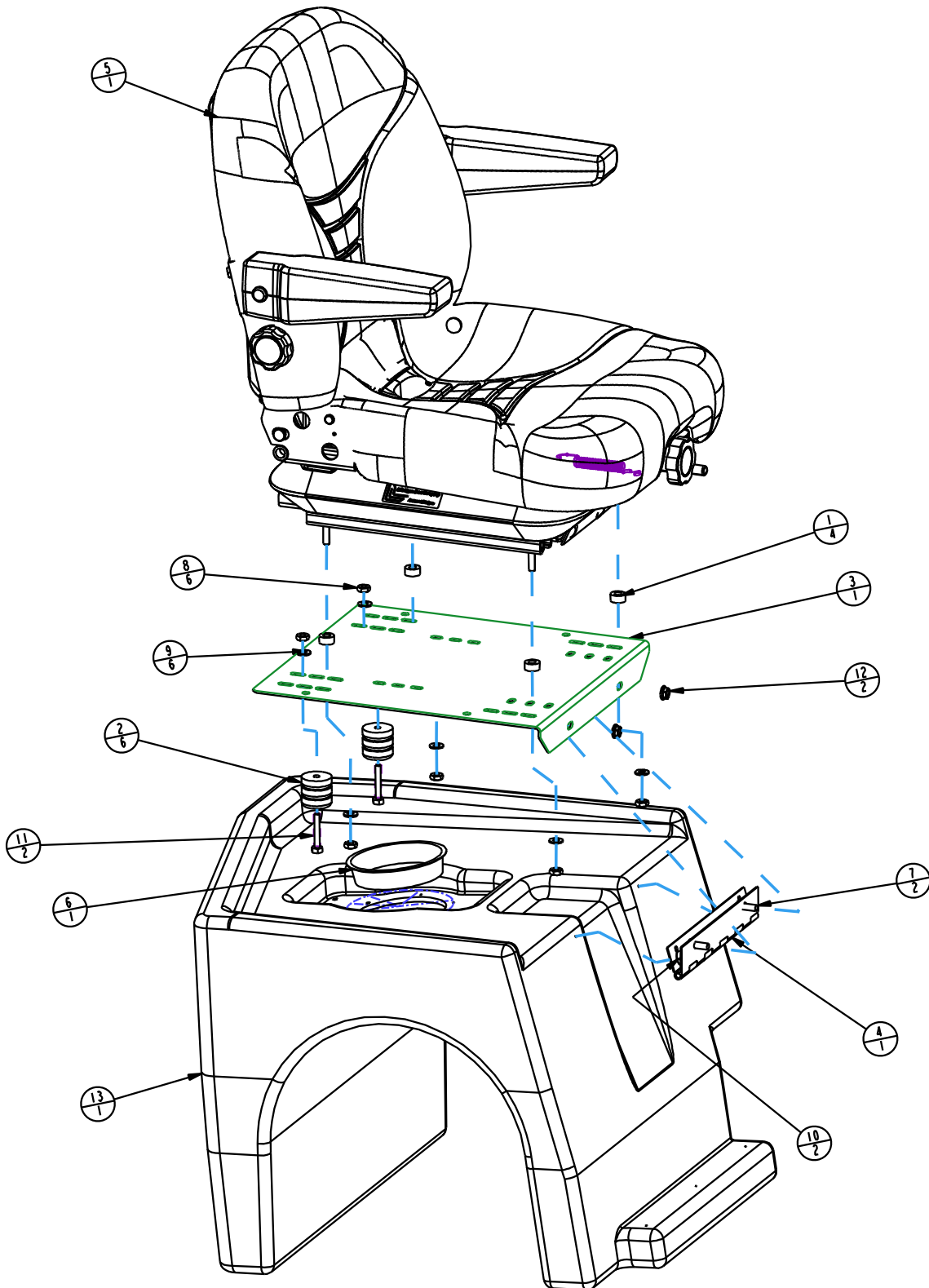
Seat Group - 3342657, Revision *



Seat Group - 3342657, Revision *

ITEM	PART NO.	REQ'D	DESCRIPTION
1	3342806	1	SUB-SEAT CLIP, HAKO 1800
2	3400030	4	SCREW-HHM 3/8-16 X 1.0 LG ZP
3	3400385	4	WASHER CONICAL SPRING 3/8

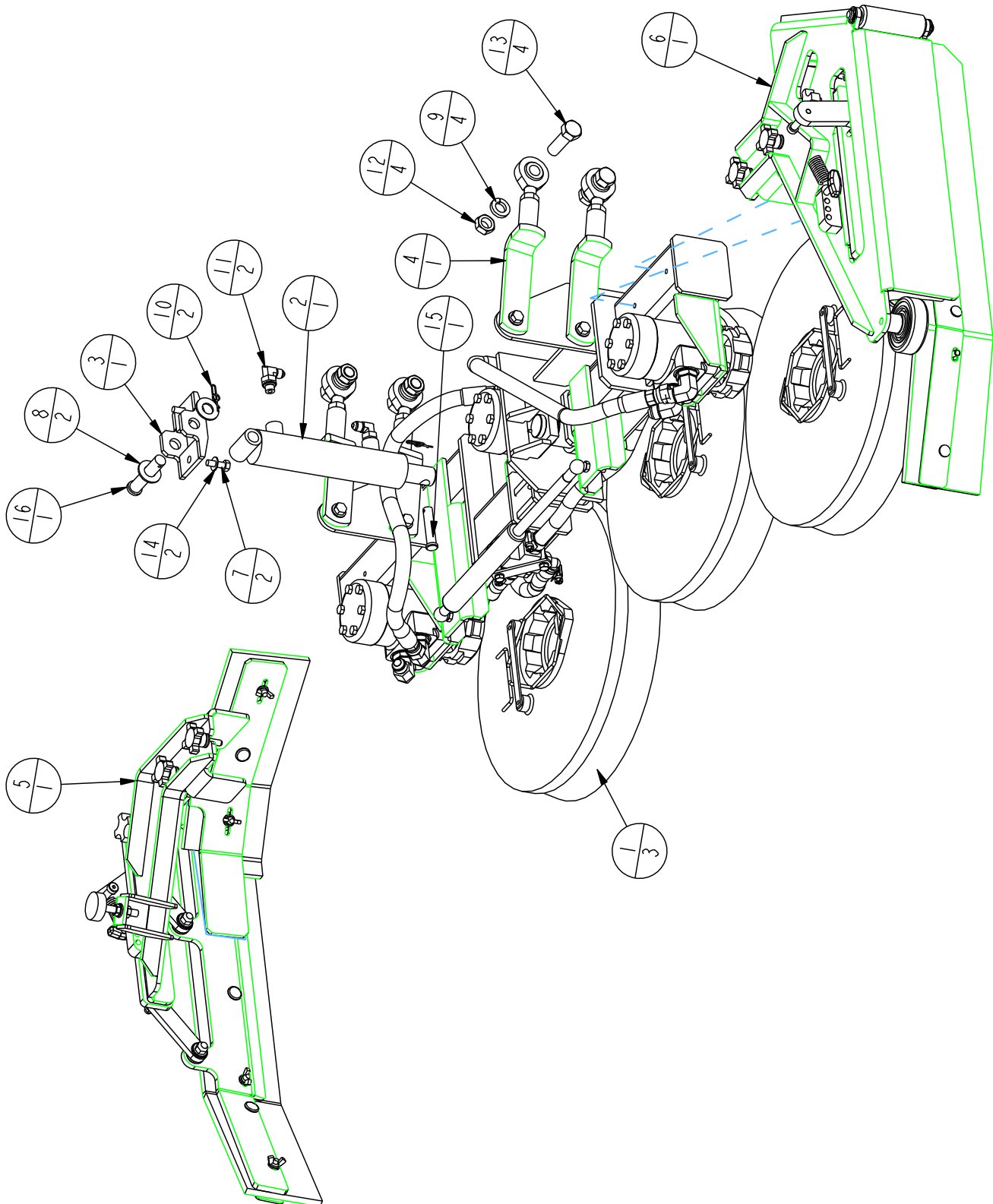
Seat Clip Assembly - 3342806, Revision B



Seat Clip Assembly - 3342806, Revision B

ITEM	PART NO.	REQ'D	DESCRIPTION
1	3301085	4	SPACER-FRONT BUMPER PLTD
2	3302482	6	BUMPER-SEAT MOUNT
3	3309027	1	MOUNT-SEAT UNIVERSAL
4	3309028	1	UNIVERSAL SEAT MNT HINGE
5	3342103	1	SEAT-5300 SERIES MICHIGAN
6	3342189	1	PLUG, PLASTIC 5550 REAR SEAT CLIP
7	3400036	2	BOLT-HH 5/16-18X3/4
8	3400080	6	NUT-HEX 5/16-18 ES ZP
9	3400088	6	WASHER 5/16 ID .688 OD X .065 THK
10	3400148	2	SCREW TRUSS HEAD 5/16 -18 X0.5 SLT ZP
11	3400311	2	SCR-HEX,5/16-18 X 1.75 ZP FULL T
12	3400390	2	NUT-FLANGE LOCK 5/16-18
13	3341004HK	1	SEAT CLIP/SOAP TANK

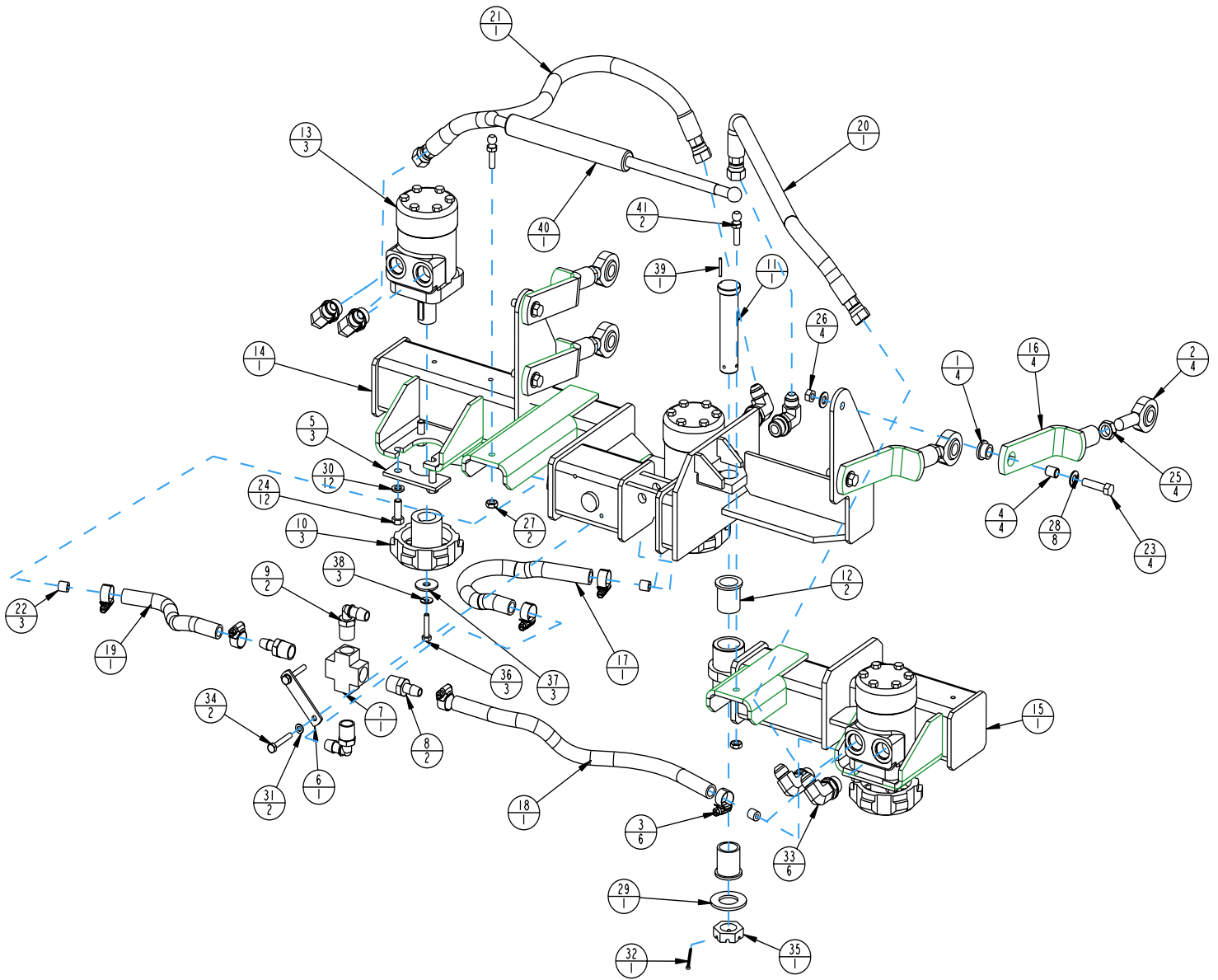
Scrubdeck / Side Squeegee Group - 3342654, Revision *



Scrubdeck / Side Squeegee Group - 3342654, Revision *

ITEM	PART NO.	REQ'D	DESCRIPTION
1	3332545	3	BRUSH-16" MID GRIT
2	3341073	1	CYL-1.5 BORE X 4" STROKE
3	3341397	1	WELD-LIFT BLK SCRUBDECK
4	3341650	1	SCRUBDECK SUBASSY
5	3341658	1	SUB-SIDE SQ ASSY LH 5550
6	3342516	1	SUB-5550 SIDE SQ ASSY RH
7	3400035	2	SCR-HEX 5/16-18X1.00 ZP
8	3400094	2	WASHER-FLAT 5/8 ZP
9	3400097	4	WSR-LOCK 5/8
10	3400124	2	PIN-COTTER 5/8 RUE-RING
11	3400152	2	FTG-90 1/2-20 TO #5
12	3400192	4	NUT-JAM 5/8-11
13	3400209	4	SCREW-HHM 5/8-11 X 2.0 LG ZP
14	3400384	2	WASHER CONICAL SPRING 5/16
15	3400755	1	PIN-CLEVIS 1/2 X 2.25 ZP
16	3402069	1	PIN-CLEVIS 5/8 X 3 ZP

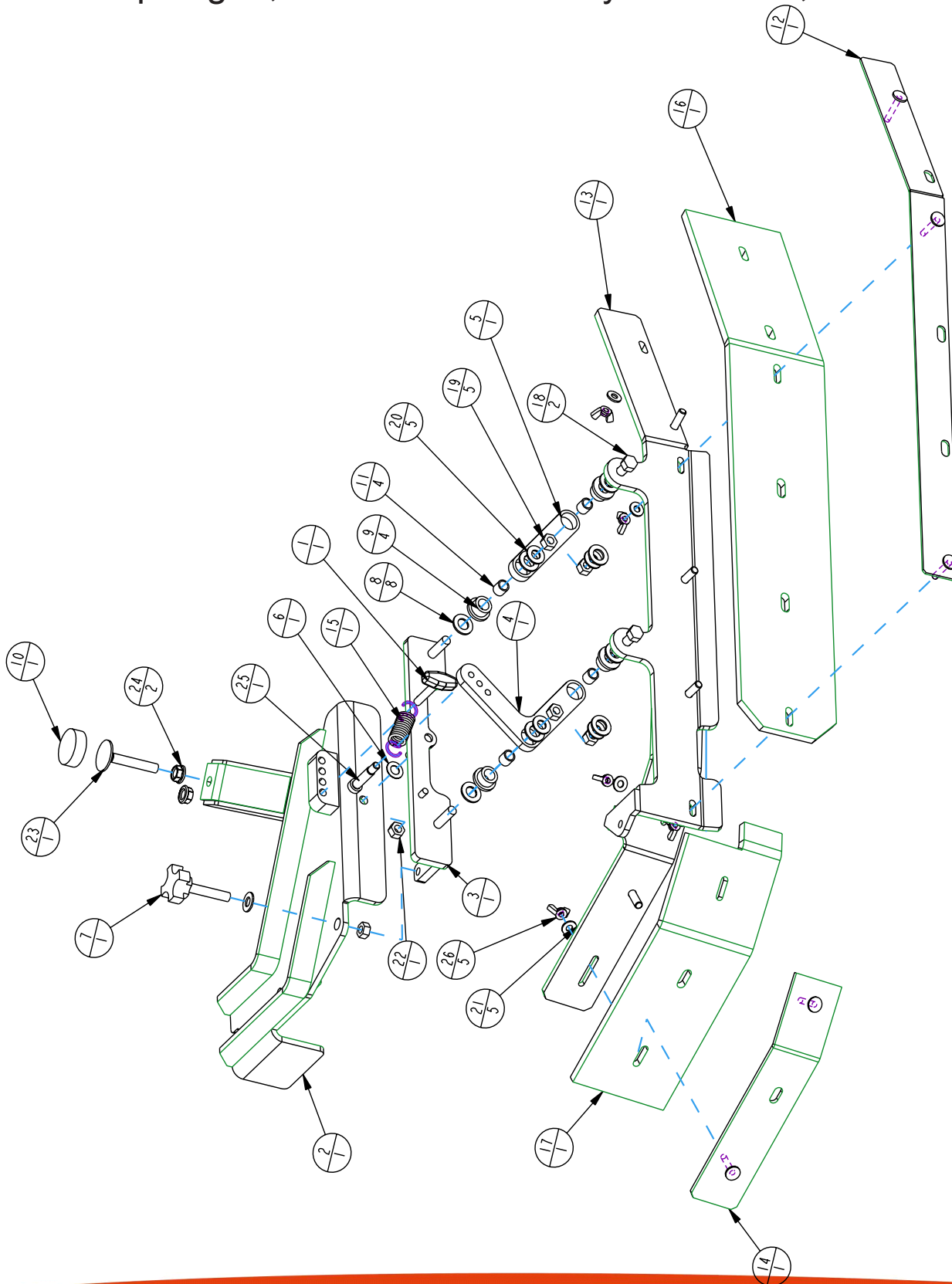
Scrubdeck Assembly - 3341650, Revision B



Scrubdeck Assembly - 3341650, Revision B

ITEM	PART NO.	REQ'D	DESCRIPTION
1	3300432	4	BUSHING-BRONZE FLANGED 1/2" ID
2	3300457	4	ROD END-SPHERICAL 5/8
3	3302144	6	CLAMP-HOSE 1/2
4	3302411	4	SLEEVE-LIFT ARM
5	3308759	3	PLT-MOTOR MNT
6	3313130	1	BAR-RETAINER
7	3313188	1	FTG-CROSS 1/2 FPT BRASS
8	3315534	2	FTG-1/2 ID X 1/2 MPT
9	3315535	2	FTG-90 DEG 1/2 ID X 1/2 MPT
10	3324451	3	DRIVER-SCRUB BRUSH
11	3341097	1	POST-PIVOT SCRUBDECK
12	3341098	2	BEARING-PSF SLEEVE 1"
13	3341151	3	MOTOR-HYD 7.6 CIR SIDE PORT
14	3341400	1	WELD-SCRUBDECK LH
15	3341420	1	WELD-SCRUBDECK RH
16	3341428	4	WELD-LIFT ARM SCRUBDECK
17	3341599	1	HOSE-WATER-SCRUBDECK-CENTER
18	3341600	1	HOSE-WATER-SCRUBDECK RT SIDE
19	3341601	1	HOSE-WATER-SCRUBDECK-LFT SIDE
20	3341750	1	HOSE-.50 AR 33.5 ST#8 ST#8
21	3342065	1	HOSE-.50 AR 24.0 ST#8 ST#8
22	3342171	3	SPACER-15/16IDX1/2ODX1/2
23	3400028	4	SCR-HEX 3/8 -16X1.50 ZP
24	3400030	12	SCREW-HHM 3/8-16 X 1.0 LG ZP
25	3400074	4	NUT-HEX JAM 5/8-18 ZP
26	3400079	4	NUT-HEX 3/8-16 ES ZP
27	3400080	2	NUT-HEX 5/16-18 ES ZP
28	3400087	8	WASHER 3/8 ID .81 OD X .065 THK
29	3400093	1	WASHER 1.0 ID 2.0 OD X .134 THK
30	3400101	12	WASHER-LOCK 3/8 SPLIT ZP
31	3400103	2	WASHER-LOCK 1/4 SPLIT ZP
32	3400122	1	COTTER PIN 1/8 X 2
33	3400155	6	FTG-90 EL 8JIC X 10MORB
34	3400173	2	SCREW-HHM 1/4-20 X 1.75 LG ZP
35	3400223	1	NUT-SLOTTED, 1-20UNEF
36	3400227	3	SCREW-HHM 1/4-20 X 1.25 LG ZP
37	3400278	3	WASHER-FENDER 3/8 ZP
38	3400383	3	WASHER CONICAL SPRING 1/4
39	3400731	1	PIN-ROLL 1/8 X 1
40	3402079	1	GAS SPRING-SCRUBDECK
41	3402080	2	STUD-BALL 13MM

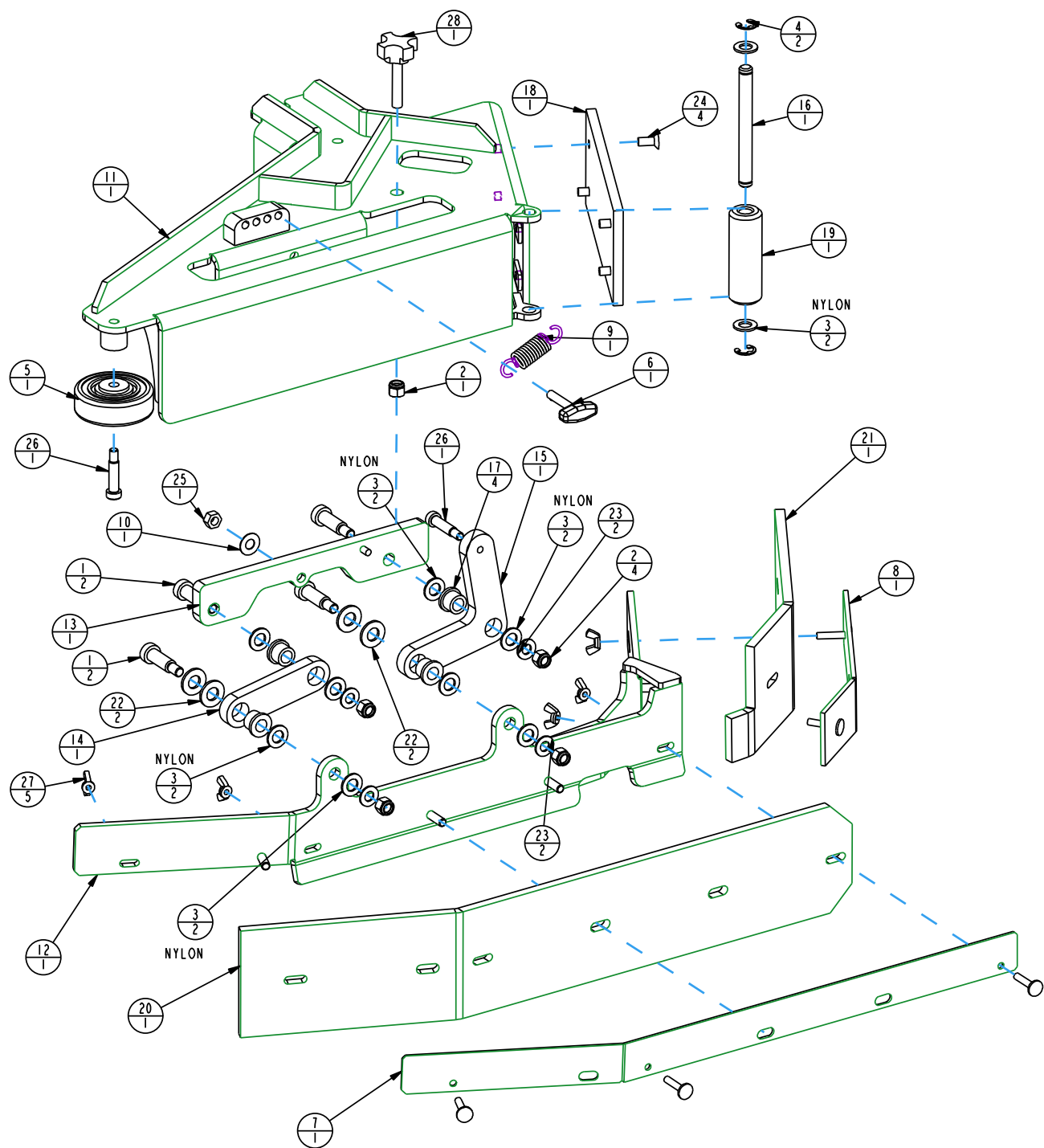
Side Squeegee, Left Hand Assembly - 3341658, Revision A



Side Squeegee, Left Hand Assembly - 3341658, Revision A

ITEM	PART NO.	REQ'D	DESCRIPTION
1	3333518	1	5/16 X 1.50 BALL DETENT T-HANDLE
2	3341928	1	WELD-SQ ARM LH
3	3341934	1	WELD-SQ TILT ASSY
4	3341935	1	PLATE-FRONT SQ ARM
5	3341936	1	PLATE-REAR SQ. ARM
6	3341955	1	WASHER-3/8" FIBERGLIDE THRUST
7	3402065	1	KNOB-3/8-16 X 2.00 FLUTED
8	711592	8	WSR-FLAT .50 X .9 X .075 NYL
9	3300432	4	BUSHING-BRONZE FLANGED 1/2" ID
10	3304624	1	BUMPER-RUBBER CAP
11	3339517	4	SLEEVE-0.5 OD X 0.39 ID X 0.45
12	3341938	1	WELD-SIDE SQ RET LH
13	3341940	1	WELD-SQ MNT LH SS
14	3341950	1	WELD-RET FRT SQ LH
15	3341954	1	SPRING-SIDE SQUEEGEE
16	3342892	1	SQUEEGEE-SIDE BLADE
17	3342893	1	SQUEEGEE-BLADE FRONT
18	3400028	2	SCR-HEX 3/8 -16X1.50 ZP
19	3400079	5	NUT-HEX 3/8-16 ES ZP
20	3400087	5	WASHER 3/8 ID .81 OD X .065 THK
21	3400089	5	WASHER 1/4 ID .63 OD X .065 THK
22	3400342	1	NUT-HEX 3/8-24 ES ZP
23	3400355	1	LEVELER-3/8-16 X 2 1/2
24	3400392	2	NUT-FLANGE LOCK 3/8-16
25	3400726	1	BLT-SHLDR 3/8 X 1 1/4
26	3401046	5	NUT- WING 1/4-20 SS LOCK

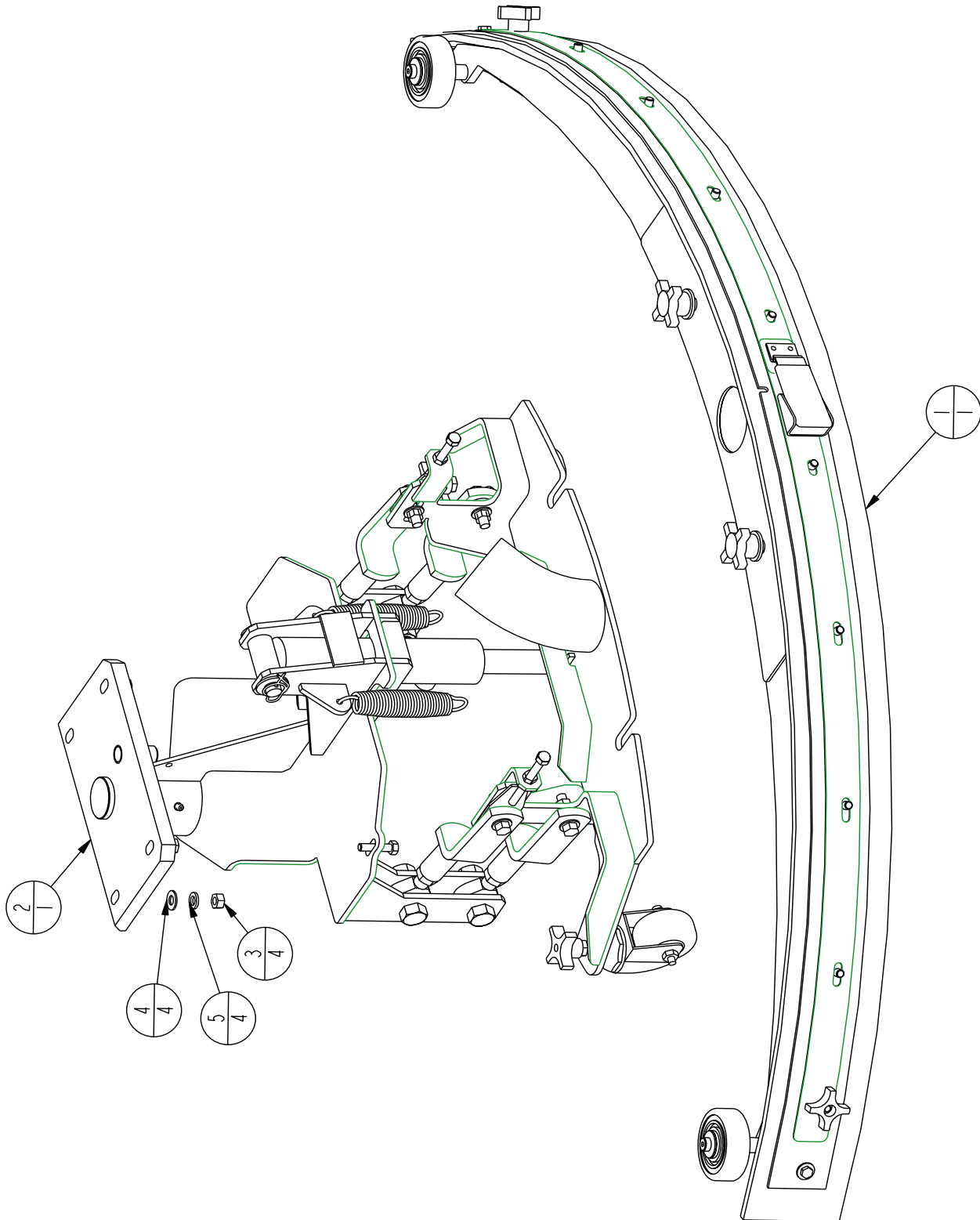
Side Squeegee, Right Hand Assembly - 3342516, Revision B



Side Squeegee, Right Hand Assembly - 3342516, Revision B

ITEM	PART NO.	REQ'D	DESCRIPTION
1	710992	4	BLT- SHLDR 1/2 X 1.25 STPL
2	711380	5	NUT-NYLOC 3/8-16 NUT
3	711592	10	WSR-FLAT .50 X .9 X .075 NYL
4	711713	2	RETAINING RING - "E" TYPE EXT .500
5	808829	1	WHEEL, TRUCK
6	3333518	1	5/16 X 1.50 BALL DETENT T-HANDLE
7	3341942	1	WELD-RET SIDE SQ RH
8	3341947	1	WELD-RETAINER SQ FRT RH
9	3341954	1	SPRING-SIDE SQUEEGEE
10	3341955	1	WASHER-3/8 FIBERGLIDE THRUST
11	3342517	1	WELD-SIDE SQ MNT HAKO 5550
12	3342529	1	WELD-SQUEEGEE MNT RH
13	3342532	1	WELD-PIVOT PLT
14	3342534	1	ARM-CRANK REAR SQ
15	3342535	1	ARM-CRANK FRONT SQ
16	3342537	1	PIN-ROLLER
17	3342538	4	BUSHING-BRONZE FLANGED 1/2" ID
18	3342634	1	WEAR PLATE
19	3342637	1	ROLLER-SQUEEQEE FRT
20	3342892	1	SQUEEGEE-SIDE BLADE
21	3342893	1	SQUEEGEE-BLADE FRONT
22	3400086	4	WASHER-FLAT 1/2 STANDARD ZP
23	3400087	4	WASHER 3/8 ID .81 OD X .065 THK
24	3400297	4	SCREW-FLAT HEAD 5/16-18 X 3/4, SOC ZP
25	3400342	1	NUT-HEX 3/8-24 ES ZP
26	3400726	2	BLT-SHLDR 3/8 X 1 1/4
27	3401046	5	NUT- WING 1/4-20 SS LOCK
28	3402065	1	KNOB-3/8-16 X 2.00 FLUTED

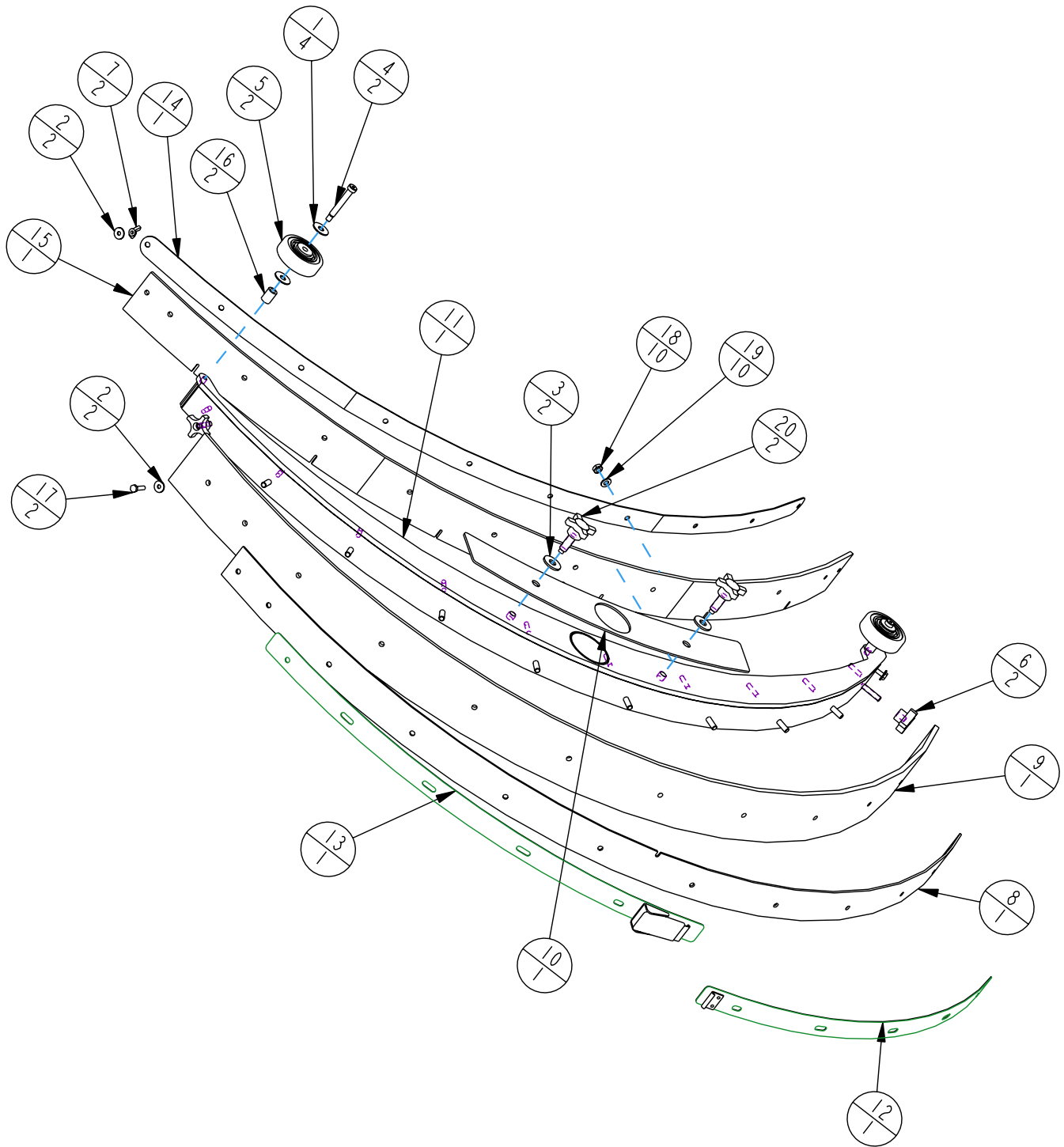
Rear Squeegee Group - 3342653, Revision *



Rear Squeegee Group - 3342653, Revision *

ITEM	PART NO.	REQ'D	DESCRIPTION
1	3341655	1	SUB-5550 REAR SQUEEGEE
2	3341656	1	SUB-REAR SQ PIVOT MNT
3	3400068	4	NUT-HEX 3/8-16 ZP
4	3400087	4	WASHER 3/8 ID .81 OD X .065 THK
5	3400101	4	WASHER-LOCK 3/8 SPLIT ZP

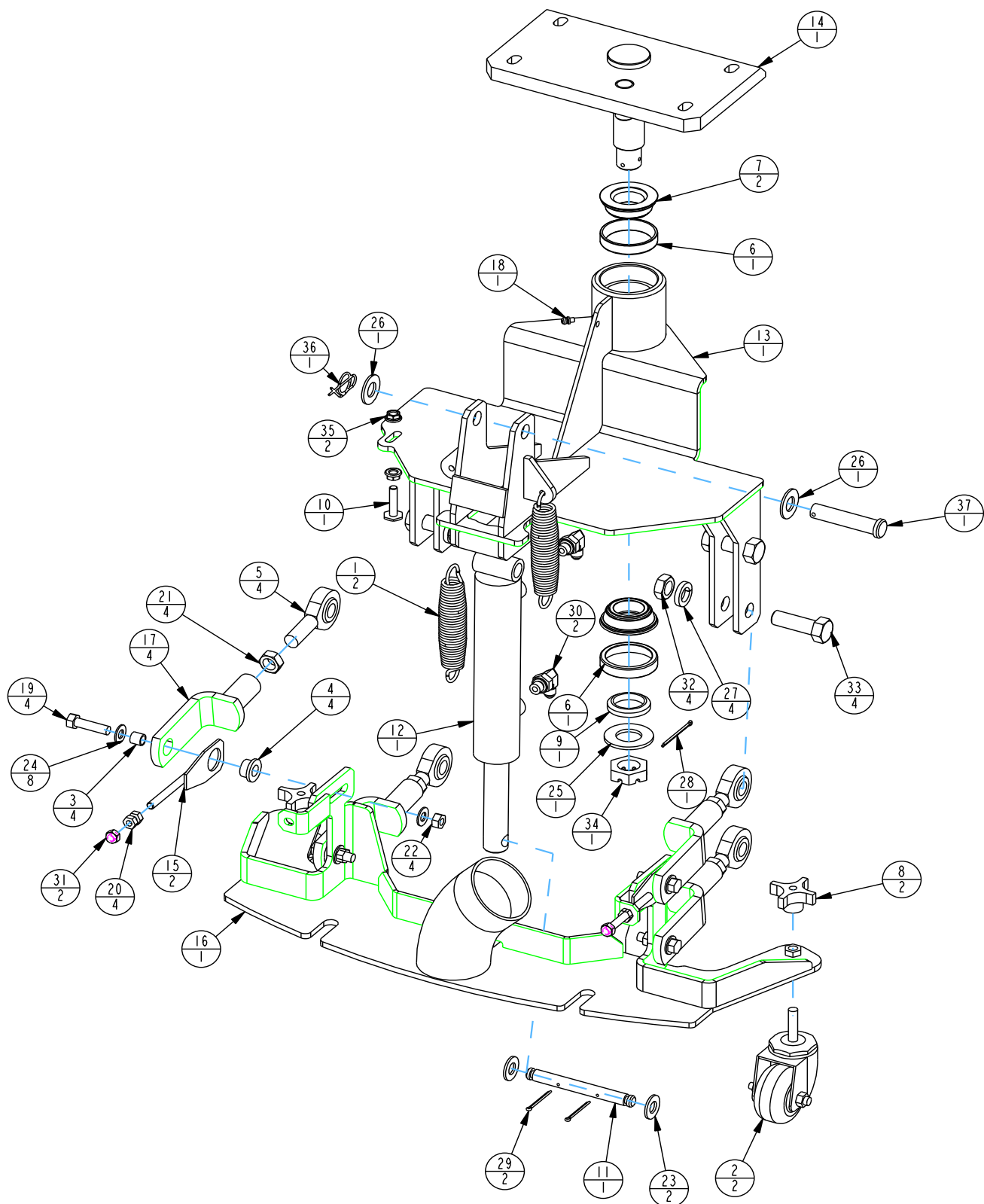
Rear Squeegee Assembly - 3341655, Revision B



Rear Squeegee Assembly - 3341655, Revision B

ITEM	PART NO.	REQ'D	DESCRIPTION
1	711507	4	WSR-FLAT .37 X 1.12 X .06
2	711550	4	WSR NYLON .25 ID X .75 OD
3	711578	2	WSR- FLAT 1/2 BRASS
4	712100	2	BLT- SHLDR 3/8 X 2.25
5	808829	2	WHEEL, TRUCK
6	3300564	2	KNOB-CLAMP 5/16-18
7	3311817	2	NUT- WING 1/4-20 NYLON
8	3341074	1	SQUEEGEE-REINF REAR BLADE
9	3341076	1	SQUEEGEE-REAR BLADE
10	3341079	1	GASKET-MNT PLT RR SQ
11	3341456	1	WELD-REAR SQUEEGEE
12	3341465	1	WELD- STRAP NO TOOL REAR SQG RH
13	3341467	1	WELD- STRAP NO TOOL REAR SQG LH
14	3341469	1	STRAP-FRT BLADE RR SQ
15	3341964	1	SQUEEGEE-FRT BLADE
16	3342109	2	SPACER-STEEL
17	3400040	2	SCR-HEX 1/4-20X1.00Z P
18	3400080	10	NUT-HEX 5/16-18 ES ZP
19	3400088	10	WASHER 5/16 ID .688 OD X .065 THK
20	3400748	2	KNOB-HAND 1/2-13 X 1.5

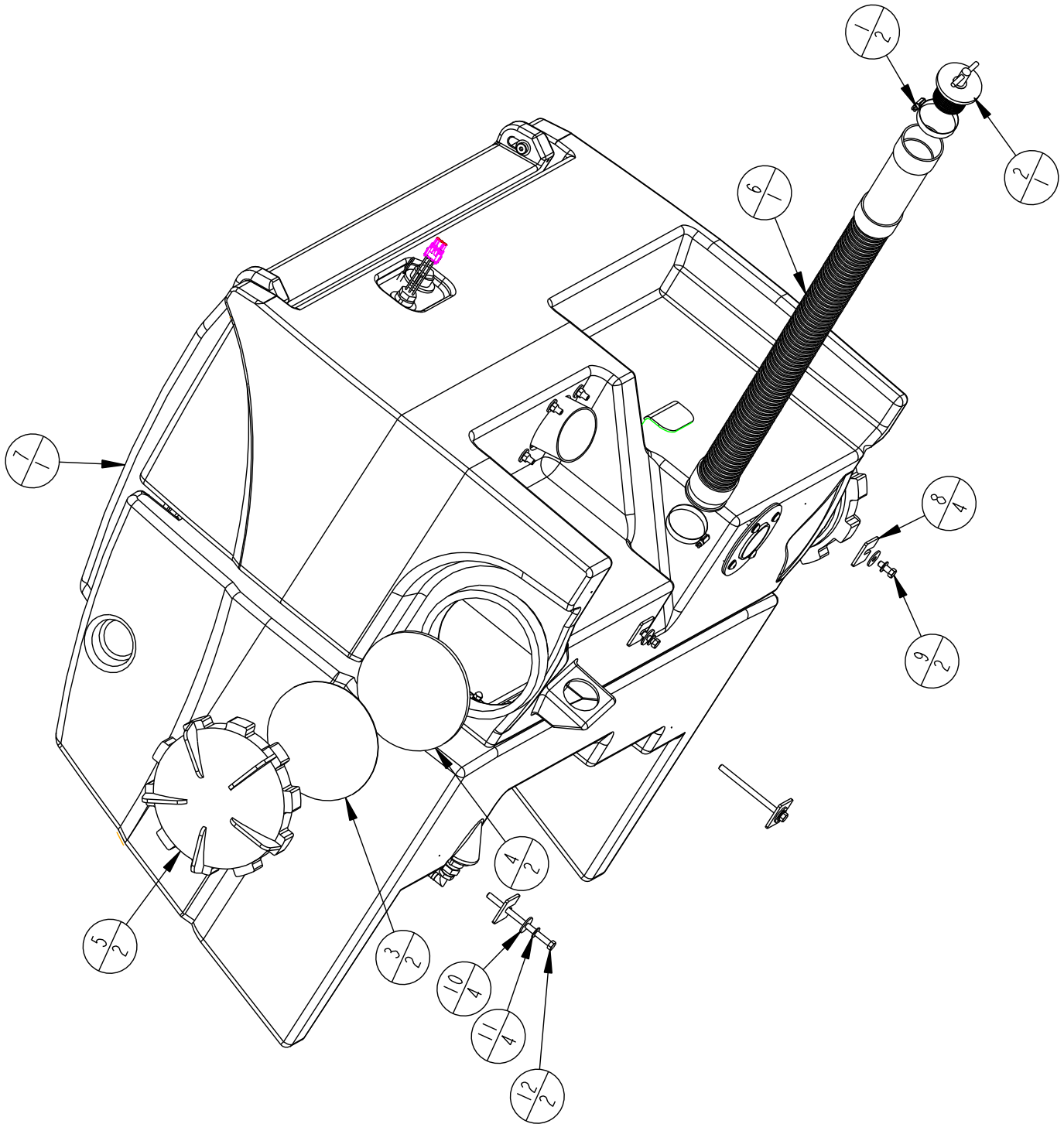
Pivot Mount, Rear Squeegee Assembly - 3341656, Revision B



Pivot Mount, Rear Squeegee Assembly - 3341656, Revision B

ITEM	PART NO.	REQ'D	DESCRIPTION
1	260211	2	HOBBY SPRING
2	430325	2	CASTER WHEEL 3/8"-16 X 1.500
3	3300339	4	SLEEVE-SQ & FWD/REV
4	3300432	4	BUSHING-BRONZE FLANGED 1/2" ID
5	3300457	4	ROD END-SPHERICAL 5/8
6	3300470	2	BEARING-TAPERED ROL CUP
7	3300471	2	BEARING-TAPERED ROLCONE W/SEAL
8	3303179	2	KNOB-HAND ALUM 3/8-16
9	3307339	1	SPACER-STEERING FORK
10	3307639	1	LEVELER-5/16-18x1.5", 1" DIA,
11	3341078	1	SPRING PIN-SQ LIFT
12	3341167	1	CYL-1.5 BORE X4" STROKE
13	3341439	1	WELD-SWING PLT RR SQ
14	3341450	1	WELD-PIVOT PLT RR SQ
15	3341453	2	WELD-ADJ ROD RR SQ
16	3342580	1	WELD-MNT PLT RR SQ
17	3347346	4	WELD-LIFT ARM RR SQ
18	3400012	1	FTG-GREASE 3/16 DRIVE
19	3400028	4	SCR-HEX 3/8 -16X1.50 ZP
20	3400069	4	NUT-HEX 5/16-24 ZP
21	3400074	4	NUT-HEX JAM 5/8-18 ZP
22	3400079	4	NUT-HEX 3/8-16 ES ZP
23	3400086	2	WASHER-FLAT 1/2 STANDARD ZP
24	3400087	8	WASHER 3/8 ID .81 OD X .065 THK
25	3400093	1	WASHER 1.0 ID 2.0 OD X .134 THK
26	3400094	2	WASHER-FLAT 5/8 ZP
27	3400097	4	WSR-LOCK 5/8
28	3400122	1	COTTER PIN 1/8 X 2
29	3400123	2	PIN-COTTER 3/32 X 1.5 ZP
30	3400152	2	FTG-90 1/2-20 TO #5
31	3400175	2	NUT, ACORN 5/16-24
32	3400192	4	NUT-JAM 5/8-11
33	3400209	4	SCREW-HHM 5/8-11 X 2.0 LG ZP
34	3400223	1	NUT-SLOTTED, 1-20UNEF
35	3400390	2	NUT-FLANGE LOCK 5/16-18
36	3400661	1	PIN-COTTER 5/8 RUE-RING
37	3402069	1	PIN-CLEVIS 5/8 X 3 ZP

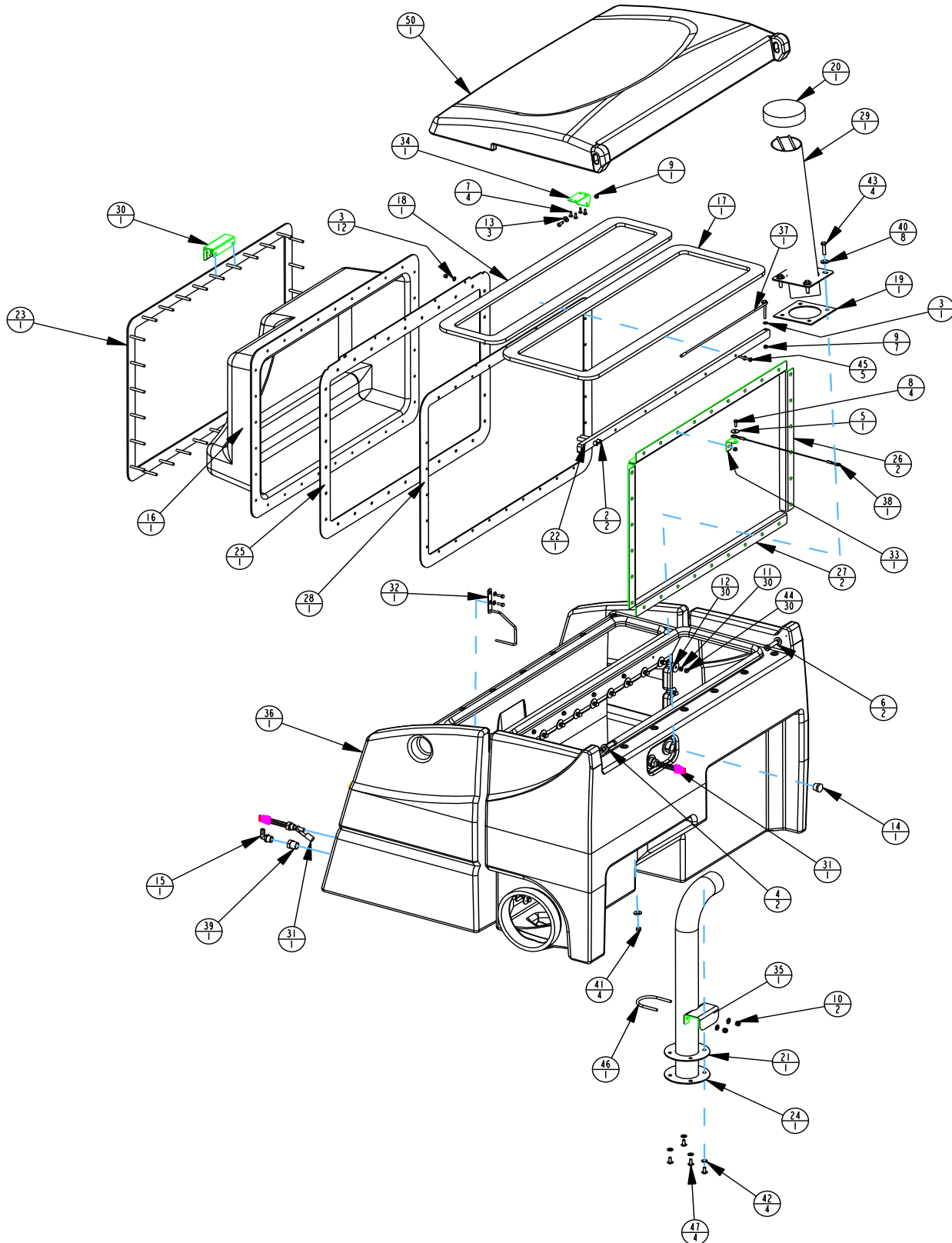
Tank, Solution Recovery Group - 3342961, Revision *



Tank, Solution Recovery Group - 3342961, Revision *

ITEM	PART NO.	REQ'D	DESCRIPTION
1	3300336	2	CLAMP-HOSE 2.5 SS
2	3300451	1	PLUG-ADJ DRAIN HOSE
3	3309098	2	PLATE-BACKING 9" CAP
4	3315258	2	GASKET-9" PLASTIC CAP
5	3341003	2	CAP-TANK 9"
6	3342789	1	SUB-DRAIN HOSE ASSY
7	3342805	1	SUB-1800 SOL/REC TANK
8	3343085	4	WASHER, SQ 2 X 2
9	3400030	2	SCREW-HHM 3/8-16 X 1.0 LG ZP
10	3400278	4	WASHER-FENDER 3/8 ZP
11	3400385	4	WASHER CONICAL SPRING 3/8
12	3402076	2	SCR-HEX 3/8-16 X 5.50 ZP

Tank, Solution Recovery Assembly - 3342805, Revision D



Tank, Solution Recovery Assembly - 3342805, Revision D

ITEM	PART NO.	REQ'D	DESCRIPTION
1	708	1	RTV SILICONE 10 OZ TUBE
2	420013	2	TUBE-PLASTIC 1/2 X 3
3	711504	13	WSR-FLAT 1/4 ID SS
4	711509	2	WSR-FLAT 1/2 (.54X1.082X.087)
5	711519	1	WSR- FLAT .25 X 1.01 X .06
6	712120	2	BLT- SHLDR 1/2 X 2
7	712534	4	10-24 X .50 SS TRUSS HD SCR
8	712562	4	BOLT-HH 1/4-20X3/4 SS
9	712667	8	NUT, HEX 1/4-20 NYLOC SS
10	712680	2	NUT-HEX 5/16-18 SS
11	712683	30	NUT, HEX 5/16-18 NYLOC SS
12	712759	30	WSR- FLT .31 X 1.37 X .06 SS
13	712772	3	WSR-FLAT .344 x .75 x .06 SS
14	3309060	1	FTG-PLUG NYLON 3/4 MP
15	3313191	1	ELBOW 1/2 MPT X 1/2 BARB
16	3341001	1	BLADDER BAG - SOL/REC TANK
17	3341009	1	FRONT SEAL - SOL/REC TANK
18	3341010	1	REAR SEAL - SOL/REC TANK
19	3341139	1	GASKET-SUCTION TUBE
20	3341141	1	FILTER IMP SUCTION TUBE
21	3341150	1	GASKET-STAND TUBE
22	3341165	1	PLATE-MIDDLE TANK SUPPORT
23	3341521	1	WELD-BLADDER FRAME
24	3341525	1	WELD-SUCTION TUBE
25	3341527	1	WASHER PLT-BLADDER
26	3341528	2	ANGLE B-BLADDER RET
27	3341529	2	ANGLE B-BLADDER RET
28	3341982	1	GASKET-BLADDER
29	3342028	1	WELDMENT-IMPELLER INLET
30	3342174	1	INDICATOR-FILL LEVEL
31	3342175	2	SWITCH-FLOAT LS7 POLYPROPYLENE
32	3342176	1	WELD-FLOAT GUARD
33	3342190	1	MOUNT-LANYARD LOWER
34	3342191	1	MOUNT-LANYARD UPPER
35	3342542	1	BRKT-SUCTION TUBE 5550
36	3342804	1	SUB-TANK, HAKO 1800 SOL/REC (MINOR)
37	3343068	1	ASSY, SAFETY PROP
38	3343073	1	CABLE ASSY- WIRE 3/32 DIA X 17 LG
39	3347554	1	FTG-PLUG NYLON 3/4 MP
40	3400336	8	WASHER 3/8 ID 1.0 OD X .105 THK SS
41	3400340	4	NUT-HEX 3/8-16 ES ZP SS
42	3400384	4	WASHER CONICAL SPRING 5/16
43	3400455	4	SCREW-HHM 3/8-16 X 1.5 LG SS
44	3400933	30	NUT, ACORN 5/16-18
45	3401000	5	SCREW-HHM 1/4-20 X 1.75 LG SS
46	3401031	1	U-BOLT 5/16-18
47	3401032	4	SCREW TRUSS HEAD 5/16-18 X 3/4 PH SSL
48	3401122	0.1	SEALANT-THREADED PIPE, 565 PST
49	3401128	0.1	ANTI-SEIZE, STICK 20 GR
50	3341002HK	1	LID-HAKO ORANGE PLASTIC SOL/REC TANK